

BitsyXb

PXA270 Single Board Computer

Rev A – August 2011 – 110118-0001A

www.eurotech.com

Disclaimer

The information in this document is subject to change without notice and should not be construed as a commitment by any Eurotech company. While reasonable precautions have been taken, Eurotech assumes no responsibility for any error that may appear in this document.

Trademarks

All product or service names are the property of their respective owners.

Revision History

<i>Issue no.</i>	<i>PWB</i>	<i>Date</i>	<i>Comments</i>
2		Oct-2005	Preliminary release
3		Nov-2005	Second preliminary release
A		Aug-2011	Initial release Eurotech style and format

© 2005 Eurotech Inc.
For contact details, see page 22.

Contents

1	Introduction.....	7
1.1	Overview	7
1.2	Features.....	7
1.2.1	Processor.....	7
1.2.2	Power Supply.....	7
1.2.3	Memory	7
1.2.4	Communications.....	8
1.2.5	User Interface and Display	8
1.2.6	I/O.....	8
1.2.7	Audio Interface.....	8
1.3	Block Diagram.....	9
2	Getting Started	10
2.1	Development Systems	10
2.1.1	System Components	10
2.1.2	BitsyXb Personality Boards.....	10
	<i>Eurotech CompactFlash Personality Board</i>	
	<i>Eurotech Ethernet Personality Board</i>	
	<i>Eurotech Quad UART Ethernet Personality Board</i>	
2.2	Frequently Asked Questions.....	11
2.3	Errata, Addenda and Further Information.....	12
3	Hardware Reference.....	13
3.1	Switches, Controls and Indicators	13
3.1.1	S1: DIP Switch	13
3.1.2	LED Indicator	13
3.2	Jumper Settings	13
3.2.1	JP2: LCD Display Power Select.....	14
3.3	Signal Connectors.....	14
3.3.1	J1: LCD Panel Interface Connector.....	15
3.3.2	J2: PCMCIA	16
3.3.3	J3: Power, I/O, Serial 2 & 3, USB, Touch Screen and others.....	16
3.3.4	J6: Input Power.....	17
3.3.5	J7: I ² C and SD/MMC	18
3.3.6	J8: Vee Adapter	18
3.3.7	J9: External CompactFlash / Expansion Bus	19
3.3.8	J10: ADSmartIO, USB, Serial 1, Stereo Audio, I/Os	20
3.3.9	J11: Supercapacitor Input	21
3.3.10	J16: In-System Programming	22

4	Feature Reference	23
4.1	System Architecture	23
4.1.1	Boot Code.....	23
4.1.2	Synchronous DRAM	23
4.1.3	Non-Volatile Memory	23
	<i>Flash Memory</i>	
	<i>ADSmartIO EEPROM</i>	
	<i>CompactFlash and PCMCIA/ATA Cards</i>	
	<i>RTC NVRAM</i>	
4.1.4	Interrupts.....	24
4.1.5	CompactFlash / Expansion Bus	24
4.1.6	PXA270 GPIO Cross-Reference	24
4.2	Real-Time Clock (RTC)	27
4.3	ADSmartIO.....	27
4.3.1	Overview	27
4.3.2	ADSmartIO Features	28
4.3.3	Digital I/Os	28
4.3.4	Analog Inputs (A/D).....	28
4.3.5	Temperature Sensing	28
4.3.6	Keypad Scan.....	29
4.3.7	ADSmartIO Signal Cross-Reference	30
4.4	Audio.....	31
4.4.1	Microphone Pre-amps.....	31
4.4.2	Audio Outputs: Speakers and Headphones.....	31
	<i>Connecting Speakers</i>	
	<i>Connecting Headphones</i>	
	<i>Using Stereo Headphones and Speakers in the Same System</i>	
4.5	Buses and Data Communications	32
4.5.1	Serial Ports.....	32
4.5.2	USB	33
	<i>USB Host</i>	
	<i>USB Function (Client)</i>	
4.5.3	Synchronous Serial Ports.....	34
	<i>Overview of Synchronous Serial Ports</i>	
	<i>SSP on the PXA270</i>	
	<i>SSP on the BitsyXb</i>	
4.5.4	I ² C Bus Master.....	35
	<i>I²C on the BitsyXb</i>	
4.5.5	Secure Digital (SD/SDIO) and Multimedia Card (MMC) Controller	37
4.6	Displays	38
4.6.1	Display Types Supported.....	38
4.6.2	LCD Voltages	38
4.6.3	Display Signals.....	38
4.6.4	Creating Display Cables	38
4.6.5	Developing Display Drivers	38
4.6.6	Brightness Control (Backlight).....	39
4.6.7	Contrast Control (Vee and Vcon)	39
4.6.8	Touch Panel.....	39

4.7	Discrete IOs	40
4.7.1	Digital IOs	40
4.7.2	Analog Inputs	40
4.7.3	Analog Outputs (PWM).....	40
4.8	EMI/RFI and ESD Protection.....	41
4.8.1	Agency Certifications	41
4.8.2	Protecting the Power Supply Inputs	41
5	Power and Power Management.....	42
5.1	Power Management Modes	42
5.1.1	Power Management Modes	42
5.1.2	Power Management on the BitsyXb	42
5.2	Architectural Overview and Power Management Features	43
5.2.1	Power Supply Architecture.....	43
5.2.2	Subsystem Partitioning	44
5.2.3	System Sleep	46
	<i>Power Failure Interrupt</i>	
	<i>RQOnOff Input</i>	
	<i>Software Control</i>	
5.2.4	System Wakeup	46
	<i>RQOnOff Input</i>	
	<i>Touch Panel</i>	
	<i>Timed Wakeup</i>	
	<i>ADSmartIO/Keypad</i>	
5.2.5	Supercapacitors.....	47
	<i>Charging</i>	
	<i>Discharging</i>	
5.2.6	Backlight Power	48
5.2.7	Battery Trickle Charger (volume production option)	49
5.2.8	Power Supply Efficiency	50
5.3	Designing for Optimal Power Management	50
5.3.1	Create a Power Budget for Peripherals.....	50
	<i>3.3 V Loads</i>	
	<i>5 V Loads</i>	
	<i>Loads on Main Supply</i>	
5.3.2	Power Loads During Sleep	51
5.4	Power Supply Examples	51
5.4.1	Basic DC Supply	51
5.4.2	Automotive System	52
5.4.3	Line Power and Battery with External Charger	52

6	System Specifications	54
6.1	Mechanical Specifications	54
6.1.1	Mechanical Drawing	54
6.1.2	Mounting Holes	54
6.1.3	Clearances	55
6.1.4	Production Options	55
	<i>Mating Headers on Underside of Board</i>	
	<i>PCMCIA Rails with no Ejector</i>	
	<i>Removal of PCMCIA Header</i>	
	<i>Connector Plating</i>	
	<i>Microphone Gain</i>	
6.2	Environmental Specifications	56
6.3	Electrical Specifications	56
6.3.1	Reset, Sleep, Wakeup	56
6.3.2	LCD Display	57
6.3.3	Touch Panel Controller	57
6.3.4	Power Supply	58
6.3.5	Power Consumption	59
6.3.6	ADSmartIO Controller	60
6.3.7	System Controller	61
	<i>CompactFlash Port Used as Expansion Bus</i>	
6.3.8	Audio	62
6.3.9	PXA270 Processor	63
6.3.10	Crystal Frequencies	64
7	Board Revision History	65
7.1	Identifying the board revision	65
7.2	Revision History	65
7.2.1	Revision 4	65
	<i>New Features</i>	
	<i>Changes</i>	

1 Introduction

1.1 Overview

The BitsyXb is a full-featured single board computer using the PXA270 Marvell® RISC microprocessor. The BitsyXb is designed to meet the needs of embedded and graphical systems developers.

This manual applies to the latest revision of the BitsyXb, as listed in the revision history, section 7.2.

1.2 Features

1.2.1 Processor

- PXA270 32-bit Marvell® processor
- Clock rates from 104 to 520 MHz
- Battery-backed real-time clock

1.2.2 Power Supply

- 6-15 V main power input
- Battery trickle charger
- External supercapacitors support

1.2.3 Memory

- 64 MB synchronous DRAM¹
- 32 MB Flash memory
- PCMCIA, Type I and II, 3.3 and 5 V
- CompactFlash² (CF) cards with optional personality board

¹ The BitsyXb supports 16, 32, 64 or 128 MB SDRAM.

² CompactFlash is a trademark of the CompactFlash Association, <http://www.compactflash.org/>.

1.2.4 Communications

- USB 1.1 Host port (low 1.5 Mbps and full 12 Mbps speeds) and full speed Client port
- Three Serial ports
 - Serial 1: EIA-232 (9-wire)³
 - Serial 2: 3.3 V logic level (3-wire)⁴
 - Serial 3: EIA-232 (5-wire)³
- Four additional EIA-232 Serial ports with optional personality board
- I²C bus with I²C master device
- Serial Peripheral Interface (SPI) port
- Secure Digital (SD/SDIO) and Multimedia Card (MMC) support
- 10/100BT Ethernet, RJ45 with optional personality board
- CompactFlash interface with optional personality board

1.2.5 User Interface and Display

- Flat Panel interface
- Software-control of external Vee Generator for passive LCD contrast control
- Analog Touch Panel interface (four- or five-wire options)
- External PS/2 Keyboard support

1.2.6 I/O

- Nine ADSmartIOTM ports configurable for digital I/O, A/D inputs (up to four) and/or up to 4x5 keypad
- Ten digital I/Os
- Backlight control signals for Intensity and On/Off
- External Temperature Probe support

1.2.7 Audio Interface

- AC'97 Codec
- Stereo Microphone input
- Stereo 1W Speaker outputs
- Headphone output with optional personality board

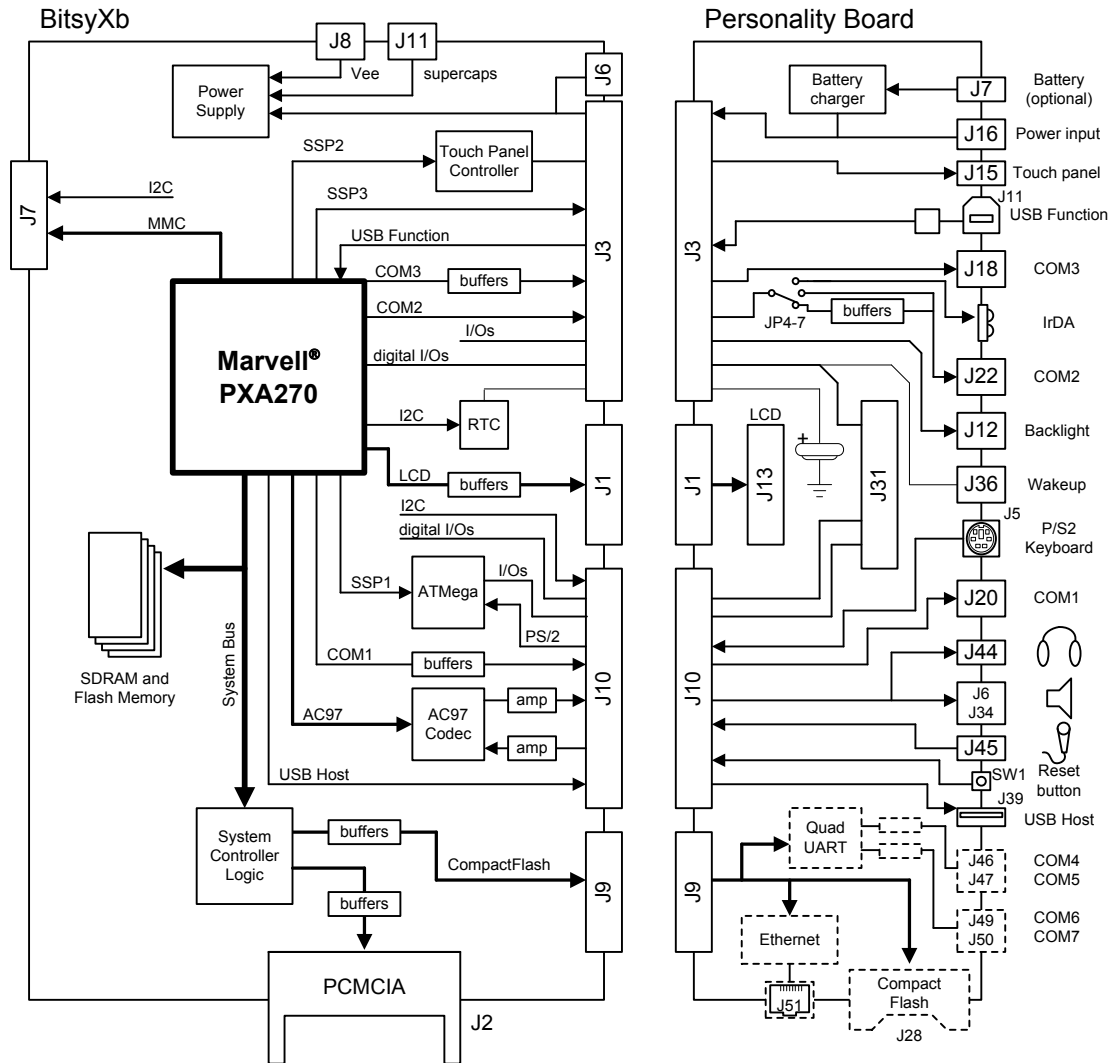
³ A 3.3 V logic level configuration is available as a volume production option.

⁴ Optional personality board supports IrDA and EIA-232 levels on Serial 2.

1.3 Block Diagram

The following diagram illustrates the system organization of the BitsyXb. Arrows indicate the direction of control and not necessarily signal flow.

The diagram also illustrates a composite of the three Bitsy Personality Boards⁵. Connectors not found on all boards are drawn with dotted lines. See section 2.1.2 for additional details about the personality boards.



⁵ Personality board connectors cited in the block diagram are from the revision A Ethernet/CompactFlash Personality Board and the revision 3 Quad UART Personality Board.

2 Getting Started

2.1 Development Systems

BitsyXb boards are shipped as development systems designed to get the developer up and running quickly.

To use the system, simply plug the power supply into the mini DIN-8 receptacle on the system.

If the screen does not display anything after five to ten seconds, check the *Frequently Asked Questions*, below. Most operating systems cold boot within twenty seconds.

2.1.1 System Components

A typical development system is shown at right. It consists of the following components:

- BitsyXb single-board computer
- Bitsy Personality Board with CompactFlash or 10/100BT Ethernet
- Flat panel display and cable
- Backlight inverter and cable
- Touch screen and cable
- 100-240 VAC power adapter
- Plexiglas mounting
- Developer's Cable Kit including
 - Serial Port DB9 adapter (Eurotech cable #610111-80001)
 - DB9F/F null modem cable
 - USB A-B cable
- Operating system of your choice
- User's Guide (this document and operating system guide)



Please make sure you have received *all* the components before you begin your development.

2.1.2 BitsyXb Personality Boards

The BitsyXb often works in tandem with another board to add functionality and customize the system for its application. Personality boards can add custom circuits and locate connectors best suited for the application design.

In production volumes, the BitsyXb can be built with interface connectors J1, J3, J9, and J10 on the underside of the board. This allows the BitsyXb to rest above custom personality boards rather than below them. Details about this production option are listed in section 6.1.4.

At the time of writing, Eurotech supplies a reference design for the personality board. Schematics and user manuals are available on the Eurotech support site. The following sections describe the type of boards that are offered at the time of writing.

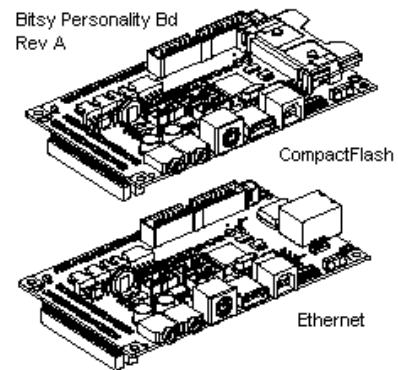
Eurotech CompactFlash Personality Board

The CF Personality Board breaks out signals from the BitsyXb for a wide range of functions including USB, audio, keyboard, power, serial, LCD display, backlight, IrDA and touch screen. It also includes a reset button and CF socket.

For further details about this board, please consult the Bitsy Personality Board User's Manual, Eurotech document #110111-8001.

Eurotech Ethernet Personality Board

The Ethernet Personality Board uses the same circuit board as the Eurotech CF Personality Board. An RJ-45 jack replaces the CF socket, and the board adds an SMSC LAN91C111 10/100 Ethernet chip and associated line drivers. Otherwise, the board is identical to the CF Personality Board.



Eurotech Quad UART Ethernet Personality Board

The Quad UART Personality Board removes the CompactFlash socket from the CF/Ethernet board described above and replaces it with four EIA-232 serial ports. In all other respects, the board is identical to the Eurotech Ethernet Personality Board.

2.2

Frequently Asked Questions

The following are some of the most commonly asked questions about development systems:

Q: When I plug in power, my screen is white and nothing comes up on it.

A: Check the connector seating. The flat panel connector may have come loose in shipping. Press it firmly into the panel and reapply power to your system.

Q: Is there online support?

A: Yes. Information about the BitsyXb hardware and software is available on the Eurotech support site at <http://support.eurotech-inc.com/>. See section 2.4 for further details.

Q: When I plug in power, my screen stays black.

A: If your system has supercapacitors installed (section 5.3.3), your system may be asleep. Try waking up the system by shorting the wakeup signal (J3 pin 45) to ground. Development systems include a two-pin header on the personality board whose pins can be shorted together to wake the system. You may also press the reset button to fully restart the system.

Q: When I plug in power, the LED doesn't turn on.

A: Your system may still be booting. The LED is software controlled and is not necessarily turned on at boot.

Q: Do I have to turn off the system before I insert a PCMCIA or CompactFlash card?

A: No. The BitsyXb supports hot-swapping of PCMCIA and CompactFlash cards. Consult the operating system documentation for details.

Q: Do I need to observe any ESD precautions when working with the system?

A: Yes. If possible, work on a grounded anti-static mat. At a minimum, touch an electrically grounded object before handling the board or touching any components on the board.

Q: What do I need to start developing my application for the system?

A: You will need a flash ATA card (32 MB or larger, 128 MB recommended) and the cables supplied with your system to interface your development station to the system. For further direction, consult the Eurotech guide for the installed operating system.

Q: Who can I call if I need help developing my application?

A: Eurotech provides technical support to get your development system running. For customers who establish a business relationship with Eurotech, we provide support to develop applications and drivers.

Q: Can I upgrade the version of the operating system?

A: Yes. Eurotech provides regular operating system updates on its developers' web site. For operating systems not maintained by Eurotech, contact the operating system vendor.

Q: I would like to interface to a different display panel. How can I do this?

A: Eurotech may have already interfaced to the panel you are interested in. Consult Eurotech for availability.

2.3***Errata, Addenda and Further Information***

Errata and addenda to this manual are posted on the Eurotech support forums along with the latest release of the manual. Consult the support forums any time you need further information or feel information in this manual is in error. You may access the forums from the Eurotech support site,

<http://www.eurotech-inc.com>

In addition to manuals, the support forums include downloads, troubleshooting guides, operating system updates and answers to hundreds of questions about developing applications for Eurotech products. You may also post questions you have about Eurotech products on the forums.

3 Hardware Reference

This section gives an overview of the hardware features of the BitsyXb. The overview includes a description of the switches, jumper settings, connectors, and connector pinouts.

Many connectors and headers have a visible number or marking on the board that indicates pin 1. As seen from the component side, double-row headers on the board are numbered as shown in the figure to the right.

2	4	6	8...
1	3	5	7...

If that pin is not clearly marked, there are two other ways to locate pin 1:

1. For through-hole connectors, look at the underside of the board. The square pad is pin 1.
2. For surface-mount connectors, look for numbers silk screened on the component side⁶ of the BitsyXb.
3. Download the mechanical drawing of the BitsyXb available on the Eurotech Support site (section 2.4). The square or indicated pad on each connector is pin 1.

3.1 Switches, Controls and Indicators

3.1.1 S1: DIP Switch

S1 is a two-position DIP switch located on the edge of the board at the opening of the PCMCIA socket. When in the "ON" position, switches are closed and connect to ground. Otherwise, they are pulled up.

DIP switch positions "1" and "2" connect to the PXA270.

Most operating systems on the BitsyXb reserve these switches for their use. Consult the operating system manual for details.

3.1.2 LED Indicator

The BitsyXb has one onboard light-emitting diode (LED) located on the edge of the board at the opening of the PCMCIA socket. It is turned on and off by the system controller. The LED is driven by the same buffers as the display driver data lines. The LED will be off when the display buffers are disabled. See section 5.3.2 for details.

3.2 Jumper Settings

There is just one user-selectable jumper on the BitsyXb. It uses a 2mm shorting block (shunt) to select the setting. Turn off power to the BitsyXb before changing the position of a shunt.

⁶ The "component side" of the BitsyXb is the one on which the PCMCIA ejector is installed. As a factory option, some connectors may be installed on the "bottom side" of the BitsyXb.

3.2.1 JP2: LCD Display Power Select

Type: 3-post header, 2mm

This jumper selects the supply voltage for the LCD display. The three-pin header is located on the corner of the board near the PCMCIA ejector button.

Jumper setting	Voltage Selected
1-2	V_{ddx} (3.3 V)
2-3	V_{cc} (5.0 V)

WARNING! Make sure you have selected the correct voltage before connecting the panel. Flat panels can be irreparably damaged by incorrect voltages.

3.3 Signal Connectors

The following tables describe the electrical signals available on the connectors of the BitsyXb. Each section provides relevant details about the connector including part numbers, mating connectors, signal descriptions, and references to related chapters.

For information about the location of the connectors on the BitsyXb, refer to section 6.1.1.

Legend:

n/c	Not connected
GND	BitsyXb ground plane
(4.1)	Reference section(s) for signals

Signal Types:

I	signal is an input to the system
O	signal is an output from the system
IO	signal may be input or output
P	power and ground
A	analog signal
OC	open collector output

3.3.1 J1: LCD Panel Interface Connector

Board Connector: 2x17 shrouded header, 2mm, Samtec STMM-117-02-G-D

Recommended Board-to-Cable Connector: TCSD series

Recommended Board-to-Board Connector: ESQT series (e.g. ESQT-117-02-F-D-500)

The following table describes the signals on the LCD panel interface connector. Signal names shown are for TFT active matrix color LCDs at 16 bpp (bit-per-pixel). For other color depths and LCD technologies, consult the table in section 4.6.4. Signals from the processor are buffered and EMI filtered before reaching J1. See section 4.6 for further details about displays.

Pin	PXA270 Signal Name	Color Active TFT Display at 16bpp	
		Eurotech Signal Name	Description
1		PNL_VEE	Vee (contrast) (3.3.6, 4.6.7)
2		GND	ground
3	L_PCLK	PNL_PIXCLK	Pixel Clock
4	L_LCLK	PNL_HSYNC	Horizontal Sync.
5	L_FCLK	PNL_VSYNC	Vertical Sync.
6		GND	ground
7	LDD15	PNL_RED0	Red Bit 0
8	LDD11	PNL_RED1	Red Bit 1
9	LDD12	PNL_RED2	Red Bit 2
10	LDD13	PNL_RED3	Red Bit 3
11	LDD14	PNL_RED4	Red Bit 4
12	LDD15	PNL_RED5	Red Bit 5
13		GND	ground
14	LDD5	PNL_GREEN0	Green Bit 0
15	LDD6	PNL_GREEN1	Green Bit 1
16	LDD7	PNL_GREEN2	Green Bit 2
17	LDD8	PNL_GREEN3	Green Bit 3
18	LDD9	PNL_GREEN4	Green Bit 4
19	LDD10	PNL_GREEN5	Green Bit 5
20		GND	ground
21	LDD4	PNL_BLUE0	Blue Bit 0
22	LDD0	PNL_BLUE1	Blue Bit 1
23	LDD1	PNL_BLUE2	Blue Bit 2
24	LDD2	PNL_BLUE3	Blue Bit 3
25	LDD3	PNL_BLUE4	Blue Bit 4
26	LDD4	PNL_BLUE5	Blue Bit 5
27		GND	ground
28	L_BIAS	PNL_LBIAS	Data Enable
29		PNL_PWR	Vcc (5 V) or 3.3 V ()
30			
31		PNL_RL	Horizontal mode select (set by R193 or R207)
32		PNL_UD	Vertical mode select (set by R191 or R192)
33	ADSmartIO PD0	PNL_ENA	Panel Enable
34	ADSmartIO PD4	VCON	low-voltage adjust for contrast control of some displays (6.3.2) (zero to PNL_PWR volts)

3.3.2 J2: PCMCIA

Integrated Ejector: FCI 95620-050CA

The 68-pin PCMCIA socket conforms to the PCMCIA standard for 5V-tolerant Type II cards, and can also be run at 3.3 V. Normally, the socket is de-energized. The operating system is responsible for turning on the socket when a card is inserted and turning it off when the card is removed.

Ejector hardware is standard. A rail-only PCMCIA slot is a volume production option for installations where clearance is an issue. See section 6.1.4 for details.

Vpp (pins 18 and 52), which is 12 V in older PCMCIA implementations, is left unconnected in this implementation. See section 6.3.7 for electrical specifications.

3.3.3 J3: Power, I/O, Serial 2 & 3, USB, Touch Screen and others

Board Connector: 2x25 shrouded header, 2mm, Samtec STMM-125-02-G-D

Recommended Board-to-Cable Connector: TCSD series

Recommended Board-to-Board Connector: ESQT series (e.g. ESQT-125-02-F-D-500)

Pin	Name	Pin	Type	Description		
1	EIO9		IO	PXA270 Digital I/Os (4.7.1, 6.3.9)		
	EIO8	2	IO			
3	EIO7		IO			
	GND	4 6	P	ground		
	VCC	8 10	PO	5 V		
5	TEMP_SENSOR_MINUS		AI	External Temperature Probe (4.3.5)		
7	TEMP_SENSOR_PLUS		PO			
9	/IRDAON		O	External IRDA control		
11	TSPX		AIO	right	UL	Touch screen (6.3.3)
13	TSMY		AIO	top	LR	
15	TSMX		AIO	left	LL	
17	TSPY		AIO	bottom	UR	
	EIO5	12	IO	PXA270 Digital I/Os (4.7.1, 6.3.9)		
	EIO6	14	IO			
	BACKLIGHT PWM	16	AO	Backlight Intensity (4.6.6, 6.3.2)		
	/BACKLIGHTON	18	OC	Backlight On/Off (4.6.6, 6.3.2)		
19	RXD2T		I	Serial 2 (3.3 V logic level) (4.5.1)		
	TXD2T	20	O			
21	WIPER		AI	Touch screen wiper (optional 5-wire touch)		
	CHARGE	22	O	Charge Enable (PB0) ⁷ (5.3.7)		
23	GND		P	ground		
	PE2	24	O	Power Enable #2 for external devices (5.3.2)		
25	CTS3		I	Serial 3 (EIA-232) (4.5.1)		
	TXD3	26	O			
27	RTS3		O			
	RXD3	28	I			

⁷ PB0 does not have any series resistance or ESD protection.

Pin	Name	Pin	Type	Description
29	USB+		IO	USB Client (4.5.2)
	USB-	30	IO	
31	GND		P	ground
	HP_IN	32	I	Headphone connected (4.4.2, 6.3.8)
33	USB_RECONN		0	USB Client power management ⁸ (4.5.2)
	GND	34	P	ground
		36		
35	STXD		O	MOSI
37	SRXD		I	MISO
39	SCLK2		O	SCLK
43	SFRM2		O	SS
	VBATT_POS	38	PI	External battery (5.3.7)
	VBATT_NEG	40	P	
41	POWERENABLE		O	Power supply control (5.3.2)
	/PE1	42	O	Power Enable #1 for external devices (5.3.2)
	DCIN_POS	44	PI	External power (also on J6)
		48		
45	/RQONOFF		I	"Request On/Off" Switch (5.3.3, 6.3.1)
	GND	46	P	ground
47				
49				
	BATPOS	50	PI	Real-time clock backup battery (4.2, 6.3.4)

3.3.4 J6: Input Power

Board Connector: Molex 22-23-2021

Recommended Mating Connector: 22-01-3027

These power inputs are also connected to J3. See Chapter 5 and section 6.3.3 for input power specifications.

Pin	Name	Type	Description
1	DCIN_POS	PI	DC power
2	GND	P	ground

⁸ A 1kΩ series resistor is included on USB_RECONN.

3.3.5 J7: I²C and SD/MMC

Board Connector: 2x8 shrouded header, 2mm, Samtec STMM-108-02-G-D-SM

Recommended Board-to-Cable Connector: TCSD series

Recommended Board-to-Board Connector: ESQT series (e.g. ESQT-108-02-F-D-450)⁹

This header supplies the signals for the I²C bus (4.5.4) and SD/MMC (4.5.5) interfaces. See the respective sections in Chapter 4 for additional details about how the signals are used.

Pin	Name	Type	Description
1	I2C_SDA	IO	I ² C bus (4.5.4)
2	I2C_SCL	IO	
3	GND	P	ground
4		P	
5	SD_DAT2	IO	SD/MMC signals ¹⁰ (4.5.5)
6	SD_DAT3	IO	
7	SD_CMD	IO	
8	SD_DAT0	IO	
9	SD_CLK	O	
10	/SD_CD	I	
11	VDDX	PO	3.3 V
12	VCC	PO	5 V
13	/SD_WP	I	SD/MMC signals (4.5.5)
14	/SDIO_IRQ	IO	
15	/SD_PWREN	O	
16	SD_DAT1	IO	

3.3.6 J8: Vee Adapter

Board Connector: 2x4 unshrouded terminal strip, 2mm, Samtec TMM-104-01-G-D-SM

Recommended Board-to-Board Connector: ESQT series (e.g. ESQT-104-02-F-D-450)

This header connects to an external Vee power supply adapter. Header J8 supplies power and control signals to the adapter and receives the Vee output power from the adapter.

Pin	Name	Type	Description
1	VCC	PO	5 V
2	VDDX	PO	3.3 V
3	VEE_CTL	O	On/Off control of Vee power
4	VEE	PI	Vee input to BitsyXb
5	V_CON	O	PWM control of Vee
6	n/c	-	
7	GND	P	ground
8	GND	P	

⁹ Note that the STMM header is 0.050-inch higher than the other 2mm headers on the board because it is a surface-mount part. Use a correspondingly shorter socket on mating boards.

¹⁰ Signal /SD_CD includes a 47kΩ pull up resistor.

3.3.7 J9: External CompactFlash / Expansion Bus

Board Connector: 2x25 shrouded header, 2mm, Samtec STMM-125-02-G-D

Recommended Board-to-Cable Connector: TCSD series

Recommended Board-to-Board Connector: ESQT series (e.g. ESQT-125-02-F-D-500)

The BitsyXb makes its CompactFlash bus signals available on J9. These signals can be used to add a CompactFlash socket to a daughter board or to expand the capabilities of the BitsyXb as a digital expansion bus. See section 4.1.5 for details.

Pin	Name	Pin	Type	Description
1	GND		P	ground
	/CARDBDET2	2	I	Card Detect 2
	/CARDB16	4	I	16 Bit Access
3	PCBD10		IO	Data8-10
5	PCBD9		IO	
7	PCBD8		IO	
	PCBD2	6	IO	Data0-2
	PCBD1	8	IO	
	PCBD0	10	IO	
9	CARDBSTSCHG		I	Status Change
11	CARDBSPK		I	Speaker
13	/CARDBREG		O	Register Access
15	VCC		PO	5 V
17	/CARDBWAIT		I	Wait
19	CARDBRES		O	Reset
21	/CARDBVS2		I	Voltage Sense 2
	PCBA0	12	O	Address0-6
	PCBA1	14	O	
	PCBA2	16	O	
	PCBA3	18	O	
	PCBA4	20	O	
	PCBA5	22	O	
	PCBA6	24	O	
23	3.3V		P0	3.3 V
25	/CARDBON		O	5 V power control
	n/c	26		
27	CARDBIRQ		I	Interrupt
29	/CARDBMWR		O	Memory Write
31	/CARDBIOWR		O	IO Write
33	/CARDBIORD		O	IO Read
	PCBA7	28	O	Address7-10
	PCBA8	30	O	
	PCBA9	32	O	
	PCBA10	36	O	
	/CARDBMRD	34	O	Memory Read
35	/CARDB_VSI		I	Voltage Sense 1
37	/CARDBCE2		O	Low Byte Chip Select
	/CARDBCE1	38	O	High Byte Chip Select

Pin	Name	Pin	Type	Description
39	PCBD15		IO	Data11-15
41	PCBD14		IO	
43	PCBD13		IO	
45	PCBD12		IO	
47	PCBD11		IO	
	PCBD7	40	IO	Data3-7
	PCBD6	42	IO	
	PCBD5	44	IO	
	PCBD4	46	IO	
	PCBD3	48	IO	
49	/CARDBDET1		I	Card Detect 1
	/CARDBON_3P3V	50	O	3.3 V power control

3.3.8 J10: ADSmartIO, USB, Serial 1, Stereo Audio, I/Os

Board Connector: 2x25 shrouded header, 2mm, Samtec STMM-125-02-G-D

Recommended Board-to-Cable Connector: TCSD series

Recommended Board-to-Board Connector: ESQT series (e.g. ESQT-125-02-F-D-500)

Pin	Name	Pin	Type	Description	
1	/EXT IRQ1		I	External Interrupt 1	
3	/EXT IRQ2		I	External Interrupt 2	
5	EIO4	2	IO	PXA270 Digital I/Os (4.7.1, 6.3.9)	
	EIO3		IO		
	EIO2		IO		
	EIO1		IO		
	EIO0		IO		
7	SIGPS2		IO	External PS/2 Keyboard	
9	CLKPS2		IO		
	USB_PWR_SENSE	10	I	Sense from external USB Host power switch (4.5.2)	
	USB_PWR_CTRL	12	O	Control to external USB Host power switch (4.5.2)	
	USB UDC-	14	IO	USB Host (4.5.2)	
	USB UDC+	16	IO		
11	I2C_SCL		IO	PC6	I ² C clock ¹¹
13	SMTIO1		IO	PD1	Thermistor energize (4.3.5)
15	SMTIO0		IO	PD0	Passive Panel Enable (PNL_ENA)
	SPKR R-	18	AO	Stereo Speaker, left channel (4.4.2)	
	SPKR R+	20	AO		
	SPKR L-	22	AO	Stereo Speaker, right channel (4.4.2)	
	SPKR L+	24	AO		

¹¹ Standard BitsyXb boards do not connect PC6 and PC7 of the ADSmartIO controller to the I²C bus. See section 4.5.4 for details.

Pin	Name	Pin	Type	Description	
17	ROW0		IO	PC0	ADSmartIO (see section 6.3.6)
19	ROW1		IO	PC1	
21	ROW2		IO	PC2	
23	ROW3		IO	PC3	
25	ROW4		IO	PC4	
27	COL0		IO	PA0	
29	COL1		IO	PA1	
31	COL2		IO	PA2	
33	COL3		IO	PA3	
	RI1	26	I	Serial 1 (EIA-232) (4.5.1)	
	DCD1	28	I		
	DSR1	30	I		
	DTR1	32	O		
	RXD1	34	I		
	TXD1	36	O		
	CTS1	38	I		
	RTS1	40	O		
35	/EXT_IRQ3		I	External Interrupt 3	
37	VDDX		PO	3.3 V	
39	MIC_GND		P	Microphone ground	
41					
	MIC L	42	AI	Stereo Microphone	
	MIC R	44	AI		
43	VREF		AO	ADSmartIO A/D reference voltage	
45	/RESET_IN		I	External Reset(6.3.1)	
47	VDDX		PO	3.3 V	
	VCC	46	PO	5 V	
		48			
49	I2C_SDA		IO	PC7	I ² C data ¹¹
	GND	50	P	ground	

3.3.9 J11: Supercapacitor Input

Board Connector: JST B 2B-ZR-SM3-TF

Recommended Mating Connector: ZH or ZR series

This header provides a connection point for external supercapacitors. See section 5.3.5 for further details.

Pin	Name	Type	Description
1	SUPCAP+	PI	Positive connection
2	SUPCAP-	PI	Negative connection

3.3.10 J16: In-System Programming

Board Connector: 2x8 shrouded header, 2mm, Samtec STMM-108-02-G-D-SM [tbd]

This header is used during manufacturing for programming and test, but is not otherwise supported for application use. Production customers may use this header to reprogram boot code.

Pin	Name	Type	Description
1	<i>/TRST</i>	<i>I</i>	<i>JTAG</i>
2	<i>TMS</i>	<i>I</i>	
3	<i>GND</i>	<i>P</i>	
4	<i>TDI</i>	<i>I</i>	
5	<i>TCLK</i>	<i>I</i>	
6	<i>VDDX</i>	<i>PO</i>	
7	<i>GND</i>	<i>P</i>	
8	<i>TDO</i>	<i>O</i>	
9	<i>/FWE</i>	<i>O</i>	
10	<i>FRDY</i>	<i>O</i>	
11	<i>MISO</i>	<i>O</i>	<i>ATMega/ADSmartIO</i>
12	<i>VCC</i>	<i>PO</i>	
13	<i>SCK</i>	<i>I</i>	
14	<i>MOSI</i>	<i>I</i>	
15	<i>PRG</i>	<i>I</i>	
16	<i>GND</i>	<i>P</i>	

4 Feature Reference

This chapter provides details about the architecture and many features of the BitsyXb, and how they can fit together to create a system that meets your application needs.

4.1 **System Architecture**

This section describes the core functionality of the BitsyXb.

4.1.1 **Boot Code**

The BitsyXb uses the first block of onboard flash to store the boot code. At the factory, boot code is loaded using the JTAG interface (J16, section 3.3.9). Most Eurotech BitsyXb boot loaders are field-upgradeable using a flash card on either the CompactFlash or PCMCIA port.

4.1.2 **Synchronous DRAM**

The BitsyXb uses synchronous DRAM (SDRAM) for kernel, application and display frame buffer use. The data bus width is 32 bits. The memory clock speed is one half the CPU core clock speed. Typical memory bus operation is at 99.5 MHz.

The self-refreshed RAM consumes most of the system sleep current. Sleep current increases roughly in direct proportion to the amount of RAM installed.

4.1.3 **Non-Volatile Memory**

There are several ways to store data on the BitsyXb that will survive a power failure. Some devices can only be accessed through operating system drivers, and not all are available for application data storage.

Flash Memory

Flash memory is the primary site for non-volatile data storage. The BitsyXb includes flash memory for non-volatile data storage. The data bus width is 32 bits.

Eurotech systems store the operating system, applications and system configuration settings in the onboard flash. Most operating systems configure a portion of the flash as a flash disk, which acts like a hard disk drive.

ADSmartIO EEPROM

The ADSmartIO controller includes 256 bytes or more of EEPROM storage. Eurotech reserves a portion of this memory for future use. Drivers are not yet available for all operating systems.

CompactFlash and PCMCIA/ATA Cards

CF and ATA cards provide removable storage in a wide variety of capacities. These cards can be a cost-effective means to expand system storage capacity for applications that provide access to the PCMCIA and CF slots. A CF slot must be placed on a daughter board, as it is not included on the BitsyXb.

RTC NVRAM

The real-time clock chip includes 56 bytes of non-volatile RAM. The RAM is maintained as long as main or backup power is provided to the chip. Drivers are not yet available to access this feature. Contact Eurotech Sales if your application requires this feature.

4.1.4 Interrupts

The BitsyXb includes several sources for external interrupts. The following table summarizes the external interrupt sources and the devices to which they are connected.

Interrupt Signal	Pin	IRQ Handler
<i>/RQONOFF</i>	<i>J3.45</i>	<i>PXA270, GP 0 (via CPLD)</i>
<i>CARDBIRQ</i>	<i>J9.27</i>	<i>[tbd]</i>
<i>/EXT_IRQ1</i>	<i>J10.1</i>	<i>PXA270, GP 10</i>
<i>/EXT_IRQ2</i>	<i>J10.3</i>	<i>PXA270, GP 9</i>
<i>/EXT_IRQ3</i>	<i>J10.35</i>	<i>PXA270, GP 1</i>
<i>EIO_n</i>	<i>J3, J10</i>	<i>PXA270</i>

Your operating system may not include drivers for all interrupt sources.

4.1.5 CompactFlash / Expansion Bus

The BitsyXb makes its CompactFlash bus signals available on J9. These signals can be used to add a CompactFlash socket to a daughter board or to expand the capabilities of the BitsyXb as a digital expansion bus.

The Eurotech Bitsy CF and Ethernet Personality Boards use this bus for CF and digital expansion, respectively. The schematic (Eurotech document number 640111-8000, available on the Eurotech Support Forums) illustrates how to use this bus both ways.

4.1.6 PXA270 GPIO Cross-Reference

The following table describes how the BitsyXb utilizes the processor GPIO lines (*GP_n*). They are offered for reference purposes only. Most operating systems make this information transparent to developers.

GP	Signal Name	Type	Function (connector, section)
0	<i>Wakeup input from CPLD</i>	<i>I</i>	<i>wakeup from ADSmartIO</i>
1	<i>/EXT_IRQ3</i>	<i>I</i>	<i>External interrupt 3 (4.1.4)</i>
2			
3	<i>I2C_SCL</i>	<i>IO</i>	<i>I²C bus</i>
4	<i>I2C_SDA</i>	<i>IO</i>	
5		<i>P</i>	<i>power supply capacitors for sleep/deep sleep</i>
6		<i>P</i>	
7		<i>P</i>	
8		<i>P</i>	
9	<i>EXT_IRQ2</i>	<i>I</i>	<i>External interrupt 2 (4.1.4)</i>
10	<i>EXT_IRQ1</i>	<i>I</i>	<i>External interrupt 1 (4.1.4)</i>
11	<i>tp</i>		
12	<i>CPLD_CLK</i>		
13	<i>tp [tbd]</i>		
14	<i>SSP_FRM</i>		<i>touch panel</i>

GP	Signal Name	Type	Function (connector, section)
15	CE1 connect to SDRAM	O	SDRAM chip select
16	CPLD_CLK	O	
17	n/c		reserved
18	CPU Ready (CPLD Interrupt)	O	
19	SSP_CLK	O	touch panel
20	n/c		
21	n/c		
22	IRQ_TP	I	touch panel
23	SCLK-C		SSP
24	SFRM-C		
25	TXD-C		
26	RXD-C		
27	USB_RECON_N		
28	BITCLK		AC'97 Codec
29	AUDIO_IN		
30	AUDIO_OUT		
31	AUDIO_SYNC		
32	SD_CLK	O	SD/MMC (J7, 4.5.5)
33	n/c		
34	RXD1	I	Serial 1 (J10, 4.5.1)
35	CTS1	I	
36	DCD1	I	
37	DSR1	I	
38	RI1	I	
39	TXD1	O	
40	DTR1	O	
41	TRS1	O	
42	RXD1	I	Serial 3 (J3, 4.5.1)
43	TXD1	O	
44	CTS3	I	
45	RTS3	O	Serial 2 (J3, 4.5.1)
46	RXD2	I	
47	TXD2	O	
48	/POE		PCMCIA/CF Card interface
49	/PWE		
50	/PIOR		
51	/PIOW		
52	n/c		
53	n/c		
54	/PCE2		
55	/PREG		
56	/PWAIT		
57	/IOIS16		

GP	Signal Name	Type	Function (connector, section)
58	LDD0	O	<i>LCD display (J1)</i>
59	LDD1	O	
60	LDD2	O	
61	LDD3	O	
62	LDD4	O	
63	LDD5	O	
64	LDD6	O	
65	LDD7	O	
66	LDD8	O	
67	LDD9	O	
68	LDD10	O	
69	LDD11	O	
70	LDD12	O	
71	LDD13	O	
72	LDD14	O	
73	LDD15	O	
74	L_FCLK/VSY NC	O	
75	L_LCLK/HSY NC	O	
76	L_PCLK	O	
77	L_BIAS	O	
78	CS2 [tbd]	O	<i>CPLD chip select</i>
79	CS3/PSKTSEL	O	
80	n/c		
81	SSP3TXD		
82	SSP3RXD		
83	SSP3SFRM		
84	SSP3CLK		
85	[tbd] PCMCIA		
86	LDD16	O	
87	LDD17	O	
88	USB_PWR_SENSE		
89	USB_PWR_CNTRL		
90	n/c		
91	n/c		
92	SD_DAT0	IO	<i>SD/MMC (J7, 4.5.5)</i>
93	EIO0		
94	EIO1		
95	EIO2		
96	/SDIO_IRQ	I	<i>SD/MMC (J7, 4.5.5)</i>
97	n/c		
98	DIP_SW0	I	
99	n/c		
100	EIO3		
101	EIO4		
102	IRQ_SSP [tbd]		
103	EIO5		
104	EIO6		
105	EIO7		
106	EIO8		

GP	Signal Name	Type	Function (connector, section)
107	EIO9		
108	DIP_SW1		
109	SD_DAT1	IO	SD/MMC (J7, 4.5.5)
110	SD_DAT2	IO	
111	SD_DAT3	IO	
112	SD_CMD	IO	
113	RESET_AUDIO_L		
114	/IRQ_BATT_FAULT		
115	/SD_WP	I	SD/MMC (J7, 4.5.5)
116	/SD_CD	I	
117	n/c		
118	n/c		

4.2 Real-Time Clock (RTC)

The BitsyXb uses the DS1307 real-time clock chip to maintain the system date and time when the system is powered down. The operating system typically reads the RTC on boot and wakeup, and sets the RTC when the system time or date is changed.

The RTC is powered from the BATPOS input. Connect a long-life 3 V battery to the BATPOS input (J3 pin 50) to maintain the system time.

The system communicates with the RTC on the I²C bus (section 4.5.4). See section 6.3.4 for electrical specifications.

4.3 ADSmartIO

ADSmartIO™ is a RISC microcontroller on the BitsyXb that is programmed with Eurotech firmware. This device provides additional I/O functionality for specialized tasks. Your application software can configure the standard ADSmartIO for a variety of functions, such as digital I/O, PWM, A/D, I²C, keypad scan and PS/2 keyboard operation.

4.3.1 Overview

The ADSmartIO controller has four, eight-pin I/O ports named PA, PB, PC and PD. Some of these ports' pins are used internally, while others are available for user applications. See the signal cross-reference in section 4.3.7 for details.

Generally, ADSmartIO ports are referenced by port and pin number (e.g. PA2), but I/O signals may go by several names based on its functionality. See the connector pinouts to cross-reference ADSmartIO signal names.

Electrical specifications for the ADSmartIO are listed in section 6.3.6. The *ADSmartIO Programmer's Reference* (Eurotech document #110110-4004) gives information about how to use the ADSmartIO features.

4.3.2 ADSmartIO Features

The following are some of the functions that the ADSmartIO can perform. The functions actually implemented depend on the firmware loaded on your system:

- General purpose digital I/O and A/D
- Keypad scan (section 4.3.6)
- PS/2 keyboard input
- Backlight on/off and brightness control (section 4.6.6)
- Contrast control for display (enabled only when pixel clock is running) (section 4.6.7)
- Read/set real-time clock (RTC) (section 4.2)
- Wakeup via /RQOnOff signal (section 5.3.3)
- Trickle-charge a battery (section 5.3.7)
- Read a temperature sensor (section 4.3.5)
- Monitor system power
- Reset CPU

4.3.3 Digital I/Os

All available ports on the ADSmartIO controller can be individually configured as inputs or outputs. If you write a "1" to an I/O port when it is configured as an input, it enables a pull-up resistor. Electrical specifications are listed in section 6.3.6.

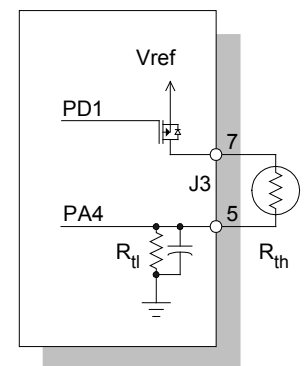
4.3.4 Analog Inputs (A/D)

Each of the Port A I/Os (PA0-PA7) includes an analog-to-digital (A/D) converter. The converters give full-scale readings when the input voltage is equal to voltage reference V_{ref} (e.g. $V = V_{ref} \cdot \text{reading} / 1023$). Not all ports are available for external A/D use; see section 4.3.7 for port assignments. Electrical specifications are listed in section 6.3.6.

4.3.5 Temperature Sensing

The BitsyXb ADSmartIO can read the temperature of an external thermistor connected across pins 5 and 7 of J3. The ADSmartIO controller drives a transistor to energize the thermistor, then reads the result through the voltage divider created by the thermistor (R_{th}) and an internal resistor (R_{tl}). The thermistor circuit is shown at right.

Electrical specifications for the temperature sensing circuit are listed in section 6.3.6.



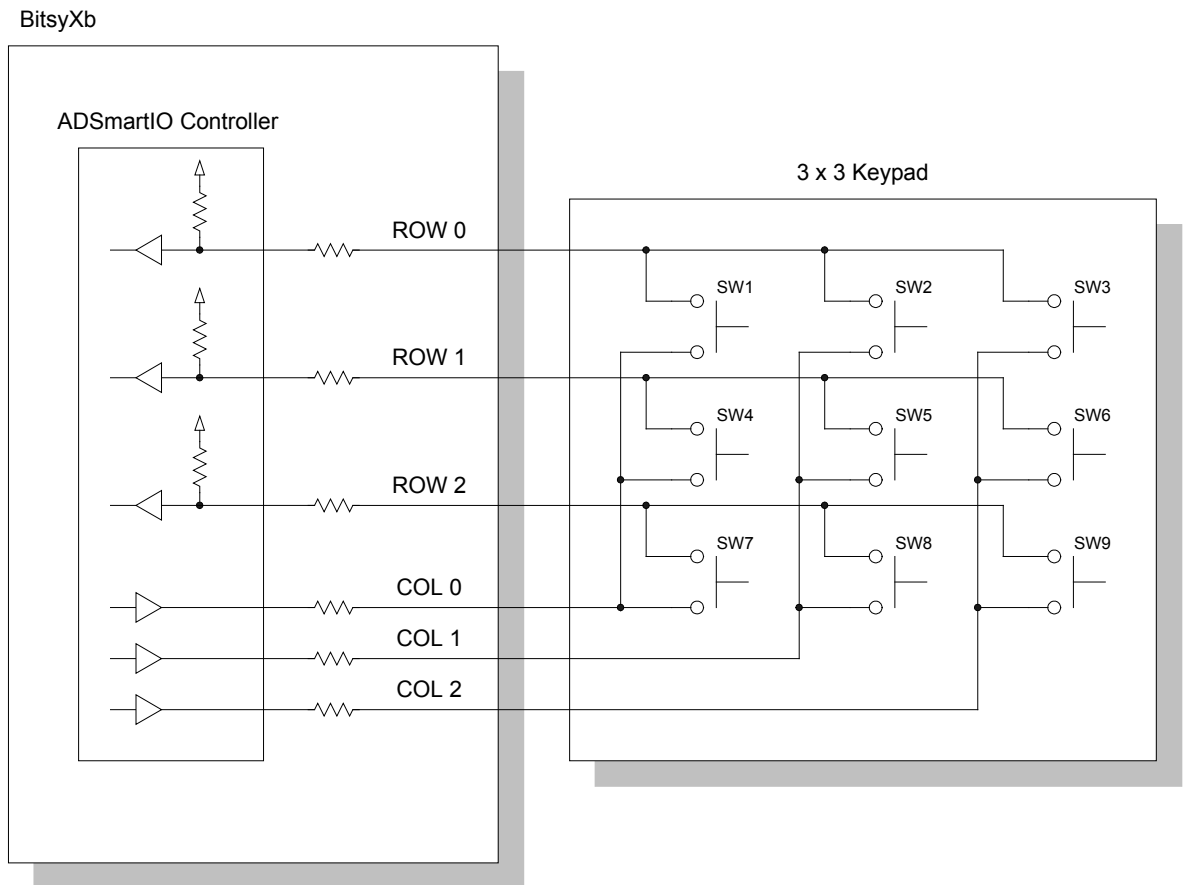
4.3.6 Keypad Scan

The ADSmartIO can scan a matrix keypad up to four by five keys in size. Matrix keypads are simpler and cost less than full keyboards and can be easily customized for your application. You can also create a keypad matrix from a collection of normally-open switches.

When configured to scan a keypad, the ADSmartIO configures the ROWn lines as inputs with software pull-ups enabled and configures the COLn lines as outputs set to "1"(high). For the scan, the keypad scanner sets successive COLn outputs to "0"(low), then looks for a "0" on one of the ROWn inputs. The scanner re-reads the pressed key after a delay to debounce the key press.

Unused column lines can be used for general purpose I/O or A/D. Unused row lines can be used for general purpose I/O only.

The following diagram illustrates how to connect a 3x3 keypad matrix. The pull-ups are the software-activated internal resistors of the ADSmartIO, while the series resistors are part of the BitsyXb.



4.3.7 ADSmartIO Signal Cross-Reference

The ADSmartIO microcontroller serves many functions in the BitsyXb. The following table illustrates how the microcontroller ports are utilized for ADSmartIO functionality on the BitsyXb.

Entries in parentheses indicate indirect connections to the listed pin (e.g. through voltage dividers or additional circuits). Signals with conventional protection circuits are considered directly connected. I=input, O=output.

Port	Pin	Type	Function
PA0	J10.27	IO	Keypad, A/D or digital I/O
PA1	J10.29	IO	
PA2	J10.31	IO	
PA3	J10.33	IO	
PA4	J3.5	AI	Thermistor reading
PA5	-	I	DC GOOD ¹²
PA6	-	O	Reset CPU
PA7	(J3.38)	AI	VBATT POS divided by 7.2

PB0	J3.22	O	Battery charger
PB1	J3.41	I	System Power enable
PB2	-	O	Wake up CPU
PB3	-	O	IRQ to CPU
PB4	-		SSP SFRM
PB5	-		SSP RX (MOSI)
PB6	-		SSP TX (MISO)
PB7	-		SSP CLK

SSP communication with CPU

PC0	J10.17	IO	Keypad or digital I/O
PC1	J10.19	IO	
PC2	J10.21	IO	
PC3	J10.23	IO	
PC4	J10.25	IO	
PC5	(J1.3)	I	Pixel clock
PC6	(J10.11)	IO	unused ¹³
PC7	(J10.49)	IO	

PD0	(J1.33)	O	Passive panel enable (PNL_ENA)
PD1	(J3.7)	O	Thermistor energize (4.3.5)
PD2	J10.9	IO	PS/2 Clock
PD3	-	I	wakeup signal from CPLD
PD4	(J1.34) (J8.5)	O	Vee PWM
PD5	(J3.16)	O	Backlight PWM
PD6	J10.7	IO	PS/2 Data
PD7	(J3.18)	O	Backlight on/off

¹² DC_GOOD is an internal digital signal that goes low when the input voltage drops below Vsleep (6.3.1).

¹³ PC6 and PC7 can be connected to the I²C bus. See section 4.5.4 for details. These pins can be reconfigured as digital I/Os for volume production applications.

4.4 Audio

The BitsyXb includes an AC'97 codec for stereo audio input and output. Electrical specifications for the audio system are listed in section 6.3.8.

4.4.1 Microphone Pre-amps

The BitsyXb supports the connection of a stereo electret microphone to the MIC_R and MIC_L inputs on J10. The audio signals run through pre-amplifiers that low-pass filter and boost the signal before being passed on to the audio codec.

When connecting external electret microphones to the BitsyXb, use the MIC_GND analog ground plane for improved signal-to-noise ratio. The BitsyXb includes pull-ups to power electret microphones.

4.4.2 Audio Outputs: Speakers and Headphones

The BitsyXb audio amplifier supports both differential and single-ended output devices. Differential (or "bridge") drive delivers greater output power and is suitable for speakers, which can be wired independently from each other. Single-ended mode is used for devices like headphones, which have a common ground between output channels.

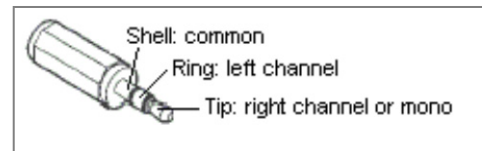
The HP_IN input (J3.32) determines the output mode of the amplifier: When HP_IN is high, the audio output drive is single-ended, when HP_IN is low, the output drive is differential. An on-board pull-up normally keeps HP_IN high.

Connecting Speakers

When using the BitsyXb to drive speakers, short the HP_IN signal to ground. This places the output amplifier in differential mode. Connect speakers to the SPKR_L and SPKR_R outputs on J10.

Connecting Headphones

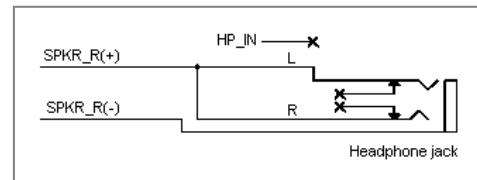
Standard headphones use a plug wired as shown at right. Three rings on the plug provide right and left channels and a common return. Mono headphones do not include the center ring.



The mating headphone jacks include spring contacts to make an electrical connection with the headphone and to mechanically hold the plug in place. Some jacks include a mechanical switch suitable for use with the HP_IN signal that is activated when a plug is inserted into the jack.

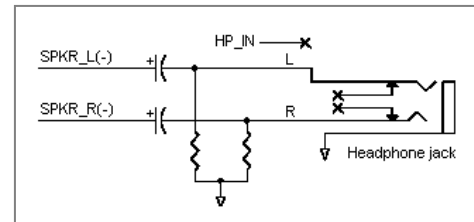
Mono Headphones

You can connect mono headphones directly to the BitsyXb as shown at right. Keep in mind that the resulting impedance of the parallel-connected headphone speakers is half that of a single headphone speaker. See the audio driver specifications in section 6.3.8 for details about the minimum impedance an audio output channel can drive.



Stereo Headphones

When wiring for stereo headphones, wire blocking capacitors in series with the BitsyXb SPKR- signals as shown at right. These capacitors block the DC component of the audio signal and complete the conversion from differential to single-ended output drive. Leave the HP_IN signal pulled high to enable headphone output.

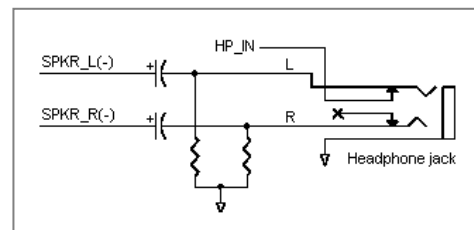


Select blocking capacitor size based on the lowest frequency your application will need to play out. Larger capacitors give improved bass response (lower frequency cutoff), but are physically larger and cost more. The corner frequency for the low-pass filter created by the capacitor and the headphone speaker is calculated as $f_0 = 1/(2\pi R_L C)$. A 330 μF capacitor into a 32 ohm headphone speaker will give a low cutoff frequency of 15 Hz. Use electrolytic capacitors rated for at least 6.3 V.

The pull-down resistors shown in the diagram drain any charge that builds up on the headphone outputs when headphones are not connected. Use 1 k Ω resistors.

Using Stereo Headphones and Speakers in the Same System

Some applications use both headphones and speakers. You can wire the headphone jack to automatically switch the amplifier to single-ended mode when a headphone plug is inserted in the jack. This will disable the drive to any speakers that are wired into the system.



Most headphone jacks include mechanical switches that indicate when a headphone plug has been inserted. The diagram at right shows a circuit that pulls down the HP_IN signal when a headphone plug is removed.

For this circuit to work reliably in differential mode, the HP_IN signal must remain below V_{HP_IN} through the largest output voltage swings of SPKR_L. Use of 1 k Ω resistors meets this requirement.

4.5 Buses and Data Communications

The BitsyXb has several built-in channels for communication with peripheral and peer devices. These include EIA-232 and logic-level serial, USB host and client ports, SPI bus and I²C.

4.5.1 Serial Ports

The BitsyXb has three processor serial ports configured as follows:

Port	# signals	Connector	Standard	Production options
Serial 1	9-wire	J10	EIA-232	3.3 V logic level
Serial 2	3-wire	J3	3.3 V logic level	
Serial 3	5-wire	J3	EIA-232	3.3 V logic level

The standard serial ports (Serial 2 and 3) supply two or four signals: Serial 2 uses TX and RX ("three-wire serial", counting GND), while Serial 3 adds RTS and CTS. Serial 1 uses the processor "full-featured serial port," which adds four more signals (DTR, DSR, DCD and RI) to supply the full complement of modem control signals.

The processor can configure Serial 2 as an IrDA port. IrDA should be used in conjunction with the IrDAOn signal (J3), which enables the IrDA transmitter. IrDA transceivers can be panel mounted or placed on a personality board.

Serial 2 is configured for 3.3 V logic level operation only. It connects directly to the processor and should be treated electrically as digital I/Os. See section 6.3.9 for electrical specifications.

4.5.2 USB

The BitsyXb includes signals for USB 1.1 Host and Client ports. Both the USB Host (downstream) port and the USB Function ("Client" or upstream) port are managed by the PXA270 processor. The BitsyXb can be configured as a self-powered hub, with one Host and one Client port.

To create a USB connection, you must wire a standard USB socket as described in the following sections. For each type of connector, pin numbering is as follows:

Pin	USB signal
1	USB_PWR
2	USB -
3	USB +
4	GND

USB Host



The BitsyXb USB Host port allows you to connect one USB device to the BitsyXb. USB mouse and keyboard are the most common client devices, but you can connect any USB function device that has USB drivers installed on the BitsyXb.

Use a Type A connector for the host signals on J10 pins 14 and 16 (section 3.3.8). The mating face of such a socket is shown at left. The USB standard also permits directly wiring the USB signals to the target USB device (e.g. USB mouse). To connect more than one USB client device to the BitsyXb, use a USB hub.

The USB protocol allows client devices to negotiate the power they need from 100 mA to 500 mA in 100 mA increments. The BitsyXb supplies 5 V power through the USB_PWR pin. Make sure to account for power used through USB in your BitsyXb power budget (section 5.4.1). It is recommended that you use a power switch.

The BitsyXb supports two power control signals on J10. USB_PWR_SENSE is an input that detects over-current conditions. USB_PWR_CTRL is an output that controls power to the USB port. See the BitsyXb CF Personality Board (Eurotech p/n 640111-8000) for an example of how to use these signals. Electrical specifications are in section 6.3.9.

USB Function (Client)



The BitsyXb includes a USB Function (or "Client") port. This interface allows the BitsyXb to appear as a client device to USB Host devices such as desktop and laptop computers.

The USB Function signals are available on connector J3, pins 29 and 30. Connect these signals to a USB Function Type B socket (mating face shown at left). The USB standard also permits directly wiring the USB signals to the host or to a host connector.

Connecting the USB Function Port

This section describes how to connect the signals to create a fully-functioning USB Function port. See the Eurotech Bitsy Personality Board reference designs (section 2.1.2) for examples of how to put these instructions into practice.

The BitsyXb supports the full USB connection speed (12 Mbit/s). Tie a 1.5 k Ω pull-up to the USB+ signal to indicate this capability to host hardware.

USB_PWR is power supplied from the host computer. Since the BitsyXb is self-powered (not powered by the USB cable), USB_PWR is not needed as a power input. However, USB_PWR is useful for sensing when a USB cable is connected and for powering the 1.5k Ω pull-up resistor that indicates to the host that the device supports 12Mbps.

The USB_RECONN output at J3, pin 33, interrupts power to the 1.5k Ω pull-up, simulating a cable disconnection to the USB host controller. This signal can be used to force the host to re-enumerate the BitsyXb (e.g. after wakeup).

4.5.3 Synchronous Serial Ports

This section gives an overview of how synchronous serial ports (SSP) work and describes how they are used on the BitsyXb.

Overview of Synchronous Serial Ports

Synchronous serial port standards share the same simple architecture: a clock line, transmit and receive lines, ground and one or more device selects. Each device on the bus requires its own select line. Buses may be full or half duplex, clocking data one or both directions at the same time, respectively. Each standard defines which devices are bus masters and which are slaves.

To clarify direction of the data signals, the SPI bus master transmit line (STXD) is also known as MOSI (Master Out, Slave In), while its receive line is known as MISO (Master In, Slave Out). The Slave Select (SS) signal, which enables the slave device's transmitter, is also known as SFRM2 on the BitsyXb.

SSP on the PXA270

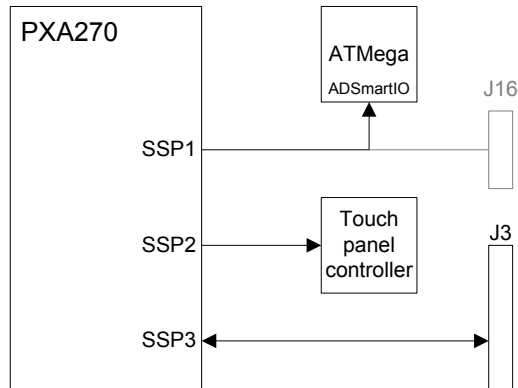
The PXA270 provides three identical synchronous serial ports, each of which features the following capabilities:

- Frame sizes from four to 32 bits
- Sixteen-entry, 32-bit transmit and receive FIFOs
- Adjustable FIFO threshold interrupts
- Bit clock speeds from 6.3kbps to 13Mbps
- Support for the following protocols:
 - Motorola's SPI (Serial Peripheral Interface)
 - National Semiconductor's Microwire
 - Texas Instruments' SSP (Synchronous Serial Protocol)
 - PSP (a Programmable Serial Protocol)
- Operation as master or slave
- Receive-without-transmit operation
- SSP/PSP Network mode, supporting up to eight time slots

Each of these features is available for use on the BitsyXb.

SSP on the BitsyXb

The BitsyXb makes use of the three PXA270 synchronous serial ports as illustrated in the following diagram.



The BitsyXb uses PXA270 SSP1 to communicate with the ADSmartIO controller. The signals for SSP1 come out to J16 for factory programming, but are not intended for application use.

The BitsyXb uses SSP2 to communicate with the touch panel controller. Applications can use SSP3 for control of external peripherals.

The BitsyXb generates the SSP bit clocks from the on-chip 13 MHz clock. It does not support an external clock input.

Electrical specifications for SSP3 are listed in section 6.3.9. Consult the operating system references for details about how to use the SSP bus for external devices.

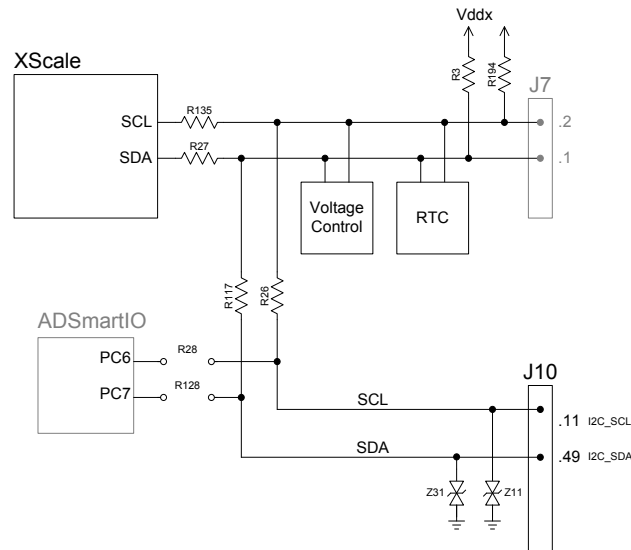
4.5.4 I²C Bus Master

I²C (Inter-IC) Bus is a multi-master, "two-wire" synchronous serial bus developed by Philips for communications between integrated circuits (ICs). The bus master addresses devices using the data line and provides a synchronous clock for reading and writing devices. Client devices respond only when queried by the master device. Philips has developed many I²C devices, but other organizations have adopted I²C as a convenient means for addressing peripherals in a system.

I²C on the BitsyXb

The BitsyXb uses the processor as the I²C bus controller to communicate with the real-time clock (section 4.2) and the CPU core voltage controller. I²C can also be used to communicate with external devices.

The following diagram illustrates the I²C architecture on BitsyXb.



The following table lists the addresses of the I²C devices on the Bitsy Xb.

Device	Address	Function
DS1307	1101 000	Real Time Clock
LTC1663	0100 000	Voltage Control

The DS1307 supports a maximum bit rate of 100 kbps. Do not use the I²C bus at rates faster than 100 kbps.

The BitsyXb I²C signals are available on connectors J7 and J10. Electrical specifications are listed in section 6.3.9.

The ADSmartIO can emulate an I²C bus master using PC6 as SCL and PC7 as SDA and can be connected to the I²C bus for backward compatibility with older Bitsy family products. Standard BitsyXb systems do not connect the ADSmartIO controller to the I²C bus.

4.5.5 Secure Digital (SD/SDIO) and Multimedia Card (MMC) Controller

The BitsyXb supports Secure Digital Memory (SD), Secure Digital I/O (SDIO), MultiMedia Card (MMC) and synchronous serial (SPI) modes of operation. SD and SDIO cards can run in 4-bit, 1-bit and SPI modes. MMC cards run in 1-bit or SPI modes. The PXA270 SD/MMC controller has FIFOs that support Direct Memory Access (DMA) to and from memory.

Signals for the MMC controller are brought out to header J7. This manual lists the signals for use in 4-bit SDIO mode. The following table illustrates how the signals are mapped differently depending on the mode of operation. Signal names and types denote the direction of the signal relative to the BitsyXb.¹⁴

SD socket		BitsyXb name	Description						J7 pin
pin	name		4-bit Mode		1-bit Mode		SPI Mode		
1	DAT3	SD_DAT3	Data 3	IO	unused	-	/MMC_CSI	O	6
2	CMD	SD_CMD	Command	IO	Command	IO	Data Out	O	7
3	VSS1	ground	-	P	-	P	-	P	3
4	VDD	(VDDX)	-	PO	-	PO	-	PO	11
5	CLK	SD_CLK	Clock	O	Clock	O	Clock	O	9
6	VSS2	ground	-	P	-	P	-	P	4
7	DAT0	SD_DAT0	Data 0	IO	Data	IO	Data In	I	8
8	DAT1	SD_DAT1	Data 1	IO	Interrupt	I	Interrupt	I	16
9	DAT2	SD_DAT2	Data 2	IO	unused	-	/MMC_CS0 ¹⁵	O	5

The BitsyXb provides a signal to control power to the Secure Digital socket. An external circuit, usually just a power transistor and related pull-ups, is required to make use of this signal.

BitsyX name	Description	Type	J7 pin
/SD_PWREN	Power Enable (driven by CPLD)	O	15

Some Secure Digital sockets supply the following signals, which are not part of the SD/SDIO standard. These signals are also connected on header J7.

SD pin	BitsyX name	Description	Type	J7 pin
10	/SD_CD	Card Detect	I	10
11	/SD_WP	Write Protect	I	13

Operating system drivers may not be available for all modes of operation. Contact Eurotech for driver availability for the operating system you are using.

Eurotech provides an adapter (170115-020R) that brings these signals out to a Secure Digital socket. It includes power control circuitry and required pull-up resistors. The adapter can plug onto a bare BitsyXb (no personality board) or cable out to a location off the BitsyXb. Schematics and additional details are available on the Eurotech support site.

¹⁴ The Secure Digital standard references SPI-mode signals with respect to the card. Pin 2 of the SD header is listed as "Data In". This user manual and PXA270 documents reference the signals with respect to the socket. Pin 2 is listed as "Data Out".

¹⁵ In SPI mode, pin 9 of an SD/MMC card is unused. Chip Select 0 is shown in this row to illustrate the alternate signal mapping to SD_DAT2 and would normally be routed to pin 1 of an SD/MMC socket. Chip Select 0 is not used on the BitsyXb.

4.6 **Displays**

The BitsyXb uses the integrated display controller to drive liquid crystal displays (LCDs). Connector J1 supplies the power and data signals needed to drive LCDs, while backlight and touch panel control signals are located on connector J3.

4.6.1 **Display Types Supported**

Eurotech has configured the BitsyXb for a wide variety of display types and sizes. Consult the Eurotech support site (section 2.4) for the latest list of displays supported by Eurotech. If a display is not on the list, contact Eurotech Sales for information about Eurotech' panel configuration service.

The display controller uses system memory for the display frame buffer and can drive VGA (640x480) and SVGA (800x600) displays easily. Larger displays will work with the processor, with some constraints imposed by the controller architecture. The Eurotech Support Forums provide details about the design tradeoffs that are required to support larger displays.¹⁶

The BitsyXb can drive LVDS displays using an Eurotech adapter circuit.

4.6.2 **LCD Voltages**

The BitsyXb supplies 3.3 V or 5 V power to the LCD display via J1. Select this voltage with JP2 (section 3.2.1). Please observe the cautions listed with the JP2 settings.

4.6.3 **Display Signals**

Display signals *LDD0* through *LDD15*—as well as the pixel clock, vertical sync and horizontal sync—are all buffered at a factory-set voltage. See section 6.3.2 for full specifications.

The *PNL_RL* and *PNL_UD* signals are for active (TFT) displays that support changing the scan direction. This feature allows the display to be flipped right-to-left (*RL*) or up-and-down (*UD*) by changing the voltage on these signals. See section 6.3.2 for full specifications.

4.6.4 **Creating Display Cables**

Eurotech has designed cables for a wide variety of displays. See the list of supported displays on the Eurotech support forums. Cable drawings for supported displays are available on request.

While Eurotech does not provide support to customers to create their own cables, designers with LCD display experience may be able to design their own. For those that do so, a key point to keep in mind is that the PXA270 LCD interface maps its display controller pins differently based on LCD technology and color palette size. Consult the PXA270 User's Manual for more information.¹⁷

4.6.5 **Developing Display Drivers**

The processor has a bank of registers that define the timing for displays. In addition, the operating system must define the region of memory for the frame buffer(s).

¹⁶ Currently posted at http://www.applieddata.net/forums/topic.asp?topic_id=580

¹⁷ [Intel PXA27x Processor Family: Developer's Manual](#). Order number 280000-001, April 2004. pp. 7-49 to 7-53.

Eurotech provides display timings for supported displays on request. For displays not yet supported, Eurotech has a panel configuration service to create panel timings and cable drawings. Contact Eurotech Sales for further details.

4.6.6 Brightness Control (Backlight)

Most LCD displays include one or more cold-cathode fluorescent lamp (CCFL) tubes to backlight the displays. Some LCDs, such as passive transfective displays, can be viewed in daylight without backlighting.

Panel backlights are driven by backlight inverters. These circuits are typically external to the display and generate the several hundred volts required to drive the CCFL tubes. Backlights can easily become the greatest source of power consumption in a portable system. Fortunately, most backlight inverters include control signals to dim and turn off the backlight.

The BitsyXb supplies two signals for backlight control: Backlight PWM (J3.16) and /Backlight On (J3.18). Backlight PWM is a filtered PWM signal that supplies an analog output voltage to control the intensity of the backlight. The /Backlight On signal is an open-collector output to turn the backlight on and off. The ADSmartIO controller drives these signals. See section 6.3.2 for electrical specifications.

4.6.7 Contrast Control (Vee and Vcon)

Vee and Vcon are used to control the contrast of passive panels. Many passive panels require a positive or negative bias voltage in the range of fifteen to thirty volts to bias the passive LCD display.

Some displays include a Vee generator and simply require a low-voltage analog signal to control the contrast. The Vcon output is a PWM-controlled output that can be used for this purpose. Electrical specifications for Vee and Vcon are listed in section 6.3.2.

4.6.8 Touch Panel

The BitsyXb supports four and five-wire analog resistive touch panels (five-wire control is a volume production option). Connect the touch panel to the inputs on connector J3. The touch panel controller can wake the system from sleep (section 5.3.3). Electrical details are listed in section 6.3.3.

4.7 Discrete IOs

This section describes discrete signals on the BitsyXb that can be used for measurement and control.

4.7.1 Digital IOs

The BitsyXb supplies a number of discrete digital I/Os for application use. These are referred to as general-purpose digital inputs and outputs (GPIOs), as each discrete digital signal can be configured as an input or as an output. The PXA270 and ADSmartIO controller drive the GPIOs on the BitsyXb.

The cross-reference in section 4.1.6 is a complete list of all PXA GPIO ports. Section 4.3.7 lists the usage of all ADSmartIO ports. Electrical specifications for PXA270 GPIOs are listed in section 6.3.9, while section 6.3.6 lists ADSmartIO electrical specifications.

The following table lists the number of GPIOs available from each source, the series resistance, whether the signals include ESD protection, the header number and notes about functions of the port signals.

# signals	Source	Series Resistance	ESD prot.	Header	Usage Notes
5	PXA270	1 k Ω	Y	J3	EIO5-9
5	PXA270	1 k Ω	Y	J10	EIO0-4
5	ADSmartIO	1 k Ω	Y	J10	PC0-4 or ROW0-4
4	ADSmartIO	1 k Ω	Y	J10	PA0-3 or COL0-3
2	ADSmartIO	1 k Ω	Y	J10	PD0 or Passive panel enable PD1 or Thermistor energize

4.7.2 Analog Inputs

The BitsyXb uses the ADSmartIO controller to perform analog-to-digital (A/D) conversions. These A/D inputs are typically used for low-speed, uncalibrated applications (e.g. user input, ballpark voltage measurement, etc) as the noise margins on the BitsyXb A/Ds are not suited for most instrumentation applications. For precision A/D readings, consider taking averages of several readings, performing two-point calibrations or using an external A/D converter (e.g. over SSP).

The following table summarizes the A/D inputs available on the BitsyXb. The Ref column indicates reference sections for their use.

Range	# lines	R _{in}	Source	Header	Ref	Details
0–2.5 V	up to 4	100 M Ω	ADSmartIO	J10	4.3.4, 6.3.6	PA0-3
0-2.5 V	1	100 M Ω	ADSmartIO	J3	4.3.4, 6.3.6	Thermistor (PA4)

4.7.3 Analog Outputs (PWM)

The BitsyXb has two filtered, pulse-width-modulated outputs that serve as analog control outputs. These are used to control LCD backlighting and contrast (sections 4.6.6 and 4.6.7).

4.8 ***EMI/RFI and ESD Protection***

The BitsyXb board incorporates a number of industry-leading features that protect it from electrostatic discharge (ESD) and suppress electromagnetic and radio-frequency interference (EMI/RFI). Transient voltage suppressors, EMI fences, filters on I/O lines and termination of high-frequency signals are included standard on all systems. For details, see electrical specifications for subsystems of interest.

4.8.1 **Agency Certifications**

Many products using Eurotech single-board computers have successfully completed FCC and CE emissions testing as a part of their design cycle. Because Eurotech supplies only the single-board computer and not fully integrated systems, Eurotech cannot provide meaningful system-level emissions test results.

See the crystal frequencies (section 6.3.10) and electrical specifications for information that may be helpful during agency certifications.

4.8.2 **Protecting the Power Supply Inputs**

It is the responsibility of the designer or integrator to provide surge protection on the input power lines. This is especially important if the power supply wires will be subject to EMI/RFI or ESD.

5 Power and Power Management

Power management is especially critical in portable and handheld applications where battery power is at a premium. The BitsyXb includes advanced power management features, including the low power CPU, partitioned power distribution and ability to run from several types of DC power inputs. The BitsyXb can also operate as a conventional single-board computer, taking advantage of the inherently low power consumption of the system.

This chapter describes the architecture of the BitsyXb power supply, factors affecting power consumption and reference designs to get you started. For information about how much power the BitsyXb consumes, consult the electrical specifications in section 6.3.5.

5.1 Power Management Modes

Handheld and portable systems available today never really turn "off." They make use of power management algorithms that cycle the electronics into "standby" and "sleep" modes, but never fully remove power from the full system.

This section describes the various power management modes of the processor and how the BitsyXb makes use of them.

5.1.1 Power Management Modes

The PXA270 processor supports four operational modes: Turbo, Run, Idle, and Sleep.

- Sleep mode uses the least amount of electrical power. The processor core is powered off and only a few processor peripherals (RTC, I/Os and interrupt control) remain active. The transition back to Run mode may take a few hundred milliseconds, as clocks must stabilize and hardware that was powered off must be reinitialized.
- Idle mode reduces power consumption by pausing the processor core clock. Processor peripherals remain enabled. This mode is used for brief periods of inactivity and offers a quick transition back to Run mode.
- Run mode is the standard mode used when applications are running. It offers the best MIPS/mW (performance vs. power) performance when running applications from RAM.
- Turbo mode runs the processor core at up to three times the Run mode speed. Since external memory fetches are still performed at the memory bus frequency, Turbo mode is best used when running the application entirely from cache.

5.1.2 Power Management on the BitsyXb

The BitsyXb can actively be configured to be in Run or Sleep modes. Turbo and Idle modes are controlled by the operating system and are typically transparent to the application.

In Turbo, Run and Idle modes, the power supplies are in their standard, full-power state and applications run normally on the system. Specific subsystems (as described in section 5.3.2) may be selectively disabled to conserve power during these states. The operating system is responsible for adjusting the core voltage (Vddi) for optimal power consumption in each mode.

In Sleep mode, sometimes called "Suspend" mode, the processor puts the SDRAM in a low-power, self-refresh mode, the processor core shuts off, most peripheral sub-systems are shut down and the power supplies drop into low-power states or turn off entirely (see the diagram in section 5.3.2 for details). In this state, the BitsyXb consumes very little power, most of which is dedicated to the maintenance of the RAM (see section 6.3.5 for specifications). The system can be "awakened" and returned to the Run state by initiating a system wakeup using one of the methods described in section 5.3.3.

If Main Power (DCIN_POS or VBATT_POS) drops below the power supply trip point (section 6.3.2), the BitsyXb automatically goes in Sleep mode. The transition time from Run mode to Sleep mode is a function of the operating system. System Sleep can also be initiated programmatically.

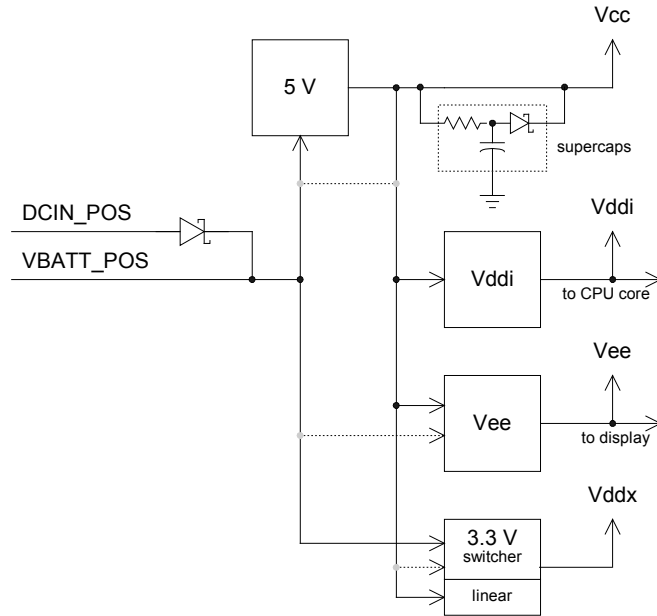
5.2 Architectural Overview and Power Management Features

This section provides an overview of the architecture of the BitsyXb power supply and a description of the various features of the BitsyXb power management systems.

5.2.1 Power Supply Architecture

The BitsyXb power supply is laid out as shown in the following diagram. Incoming DC power is regulated to 5 and 3.3 V. Other system voltages are derived from these power supplies.

The following diagram is for the BitsyX. BitsyXb changes include external supercaps and Vee supply.



DCIN_POS and VBATT_POS voltages are mixed using a diode with a low forward voltage. This allows a battery and DC power supply to be connected at the same time. If only one power supply is used for your system, use the VBATT_POS input. See sections 5.3.7 and 5.5.3 for examples.

Vddi is a variable-voltage power supply controlled by the processor I²C bus (4.5.4). This voltage scaling feature allows the operating system to manage power consumption over the full range of CPU clock rates.

Several volume production options are available and are indicated by dashed lines in the diagram above. Options are available for production customers, as described in section 6.1.4, but are otherwise outside the scope of this manual. Contact your Eurotech sales representative if you believe one or more of these options are required for your application.

Specifications for the BitsyXb power supply are listed in section 6.3.4.

5.2.2 Subsystem Partitioning

The BitsyXb can selectively turn off power to subsystems on the board. This load-shedding feature can extend battery life and significantly increase the amount of time the supercapacitors will hold up system power. Applications and the operating system determine how selective power management is utilized.

BitsyXb systems that can be selectively disabled include the following:

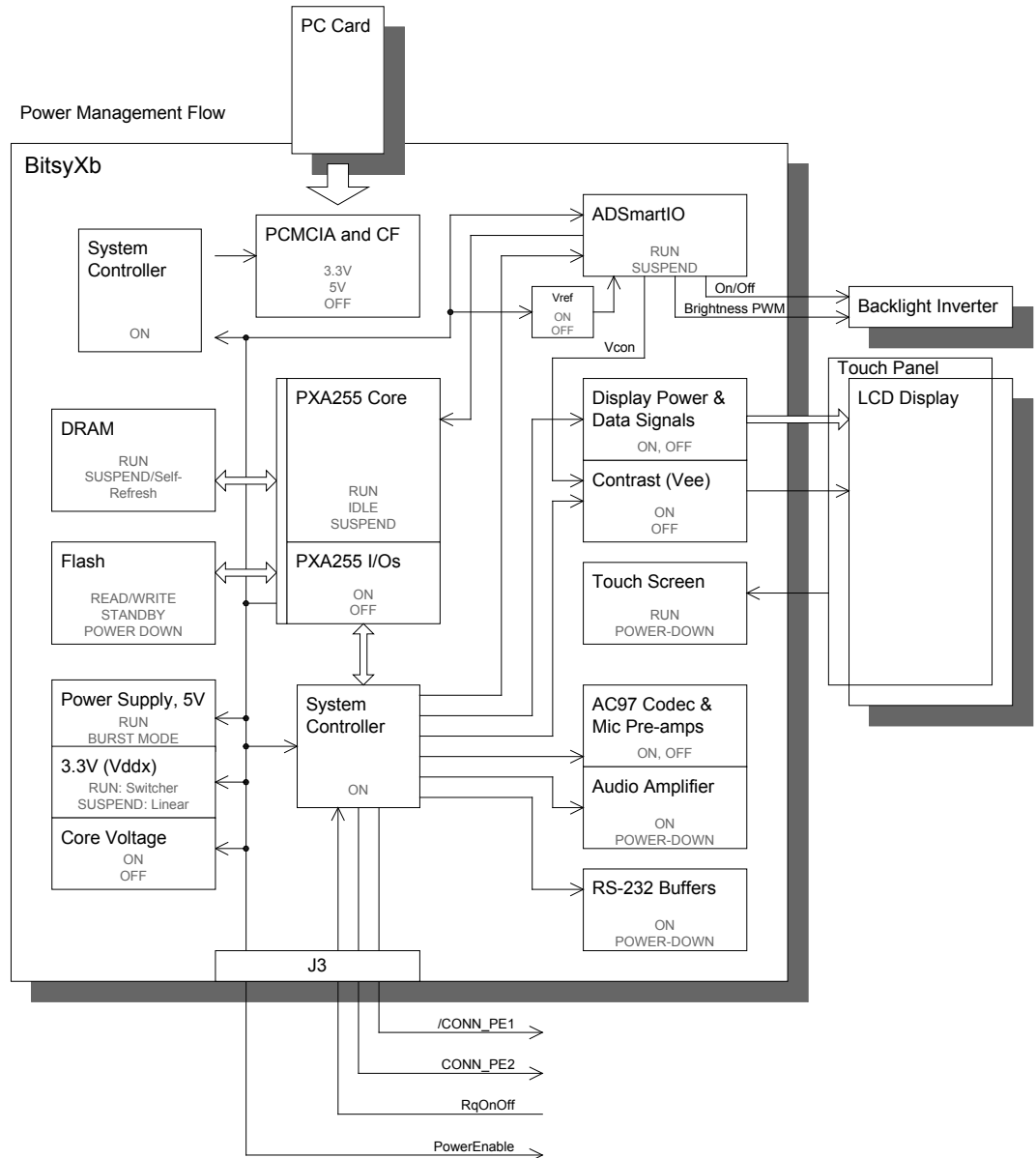
- LCD display (panel power and signal buffers)
- Vee (contrast control)
- Audio output amplifier
- Audio codec and microphone pre-amps
- Serial 1 and 3 EIA-232 buffers
- External device 1 (/PE1, J3.42)
- External device 2 (PE2, J3.24)

In addition, the BitsyXb also controls its core power supplies to support sleep operation:

- Vcc (5 V) supply
- Vddx (3.3 V) and Vddi (processor core) supplies

The following diagram illustrates the architecture of the BitsyXb power management system. At the heart of the system is a power controller that controls the state of the various power subsystems of the BitsyXb. Under control of the processor, this controller can manage most of the power distribution of the board. The PowerEnable signal controls the rest of the subsystems.¹⁹

In the diagram, the power management modes of each of the subsystems are indicated in gray. Arrows indicate the direction of both signal flow and of power management.



¹⁹ The controller inverts the PowerEnable signal for use with some subsystems. This detail is not shown in the diagram.

5.2.3 System Sleep

This section describes several methods for putting the system into Sleep mode.

Power Failure Interrupt

When the input voltage falls below V_{sleep} (section 6.3.1), the system generates an internal power failure interrupt (the DC_GOOD signal goes low). This interrupt gives the operating system early warning of an impending power failure, allowing the system to drop into low-power Sleep mode before power has failed completely.

Systems that have supercapacitors benefit from this feature by going to sleep before they begin drawing down energy stored in the capacitors. This prolongs the amount of time the system can maintain the contents of RAM.

Operating systems may allow the option to ignore power-failure interrupts. This allows systems to run with lower input voltages without going to sleep. However, note that if the system does go to sleep, it will not be able to wake until the input voltage is above V_{sleep} (see section 5.3.4 for details).

RQOnOff Input

Operating systems and applications can configure the /RQOnOff signal (J3.45) to put the system to sleep. In conjunction with the wakeup function (section 5.3.4, below), the /RQOnOff input can be used as an "on/off" button for some systems. Electrical specifications are listed in section 6.3.7.

Software Control

Applications can put the system to sleep programmatically. Operating systems may also put the system to sleep if the system has not been used for a certain amount of time or for other reasons. In remote, battery-powered applications, software Sleep can be used in conjunction with the Timed Wakeup feature (section 5.3.4) for minimum power consumption.

5.2.4 System Wakeup

This section describes several mechanisms for waking a BitsyXb system from Sleep mode. The system will resume operation in Run mode unless the power supply voltage is lower than V_{sleep} (section 6.3.1). If the input voltage is too low, the system will not wake under any circumstances. This protects the RAM from getting corrupted by an undervoltage condition.

RQOnOff Input

Shorting the /RQOnOff signal (J3.45) to ground will wake the system. The signal is connected to the system controller. Electrical specifications are listed in section 6.3.7.

Touch Panel

The touch panel controller interrupts the processor when touch panel events occur. Before going to sleep, the processor can place the controller in a low-power sleep mode from which the controller generates a wakeup interrupt when a touch event occurs.

Timed Wakeup

The processor can wake up at a predetermined time. This feature is controlled by software.

ADSmartIO/Keypad

The ADSmartIO controller controls the wakeup signal to the processor. For production applications, Eurotech can configure the ADSmartIO to wake up the system on specific events (e.g. the BitsyXb adds a volume production option to wake upon keypad activity). Contact Eurotech Sales if your application requires a special wakeup event.

5.2.5 Supercapacitors

Supercapacitors (sometimes known as "ultracapacitors") are energy storage devices that combine the quick charge/discharge characteristics of capacitors with the higher energy density of batteries. "Supercaps," as they are called, are useful for maintaining power when changing batteries or for riding out power failures.

The BitsyXb supports connection of external supercaps via header J11.

Charging

There are two important factors related to the charging phase of the capacitors. The first is how long it takes to fully charge the capacitors. The second is the added load on the power supply it takes to charge the capacitors. Both are important to effectively use the supercaps.

Charge time for capacitive circuits is typically measured in "time constants," the product of the charging resistance, R and the capacitance, C. It takes three time constants (3RC) to charge fully-discharged supercaps to 95% of their target voltage. For example, a system with 44 ohm charging impedance and 1.65 F supercaps has a time constant of 73 seconds. Allow at least five minutes to recharge the capacitors after the board has been disconnected from power. Charge time is shorter if the supercaps aren't completely discharged.

The charging current for the supercaps starts out high and diminishes exponentially as the capacitors reach full charge. Make sure to account for this current in your power budget (section 5.4.1). The charge current is calculated as

$$i(t) = \frac{V_t - V_i}{R} e^{-t/RC}$$

where

- V_t is the charging/final voltage of the capacitor (assume 5.0 V unless the capacitor is not charged completely),
- V_i is the initial charge voltage of the capacitor, and
- t is the time in seconds

Use the maximum current (time=0, $V_i=0$, $i(0)=i_{max}=V_t/R$) in your power budget.

Discharging

When power fails on a system equipped with supercaps, the operating system shuts off all power to the board and puts the system to sleep. When power is restored, the system remains asleep until either the system is awakened (J3.45) or is reset (J10.45).

The amount of time that a system can remain asleep using only supercap power depends primarily on how quickly external power drops off and how quickly the operating system can put the board to sleep.

If the operating system can shut down the system before the power supply drops below the supercap charge level, you will get significantly longer sleep time from your supercaps. You can calculate how much time the system will have to go to sleep based on (1) how quickly your power supply will fall when main power fails and (2) the trip point of the BitsyXb power fail circuit (section 6.3.1). When possible, put the system to sleep with software if a power failure condition is expected (e.g. changing a battery).

The supercaps discharge linearly from the constant-current drain during sleep according to the equation

$$t = \frac{(V_i - V_f - 0.2) * C * \text{Eff}}{I_{\text{sleep}}}$$

where

- t is the duration the system can sleep, in seconds;
- V_i is the initial charge voltage of the capacitor;
- V_f is the supercap voltage at which onboard systems will fail (assume 3.2 V);
- C is the capacitance of the supercaps, in Farads;
- Eff is the efficiency of power delivery; 85-90% is a safe value to use;
- I_{sleep} is the amount of current the system consumes while in sleep mode.

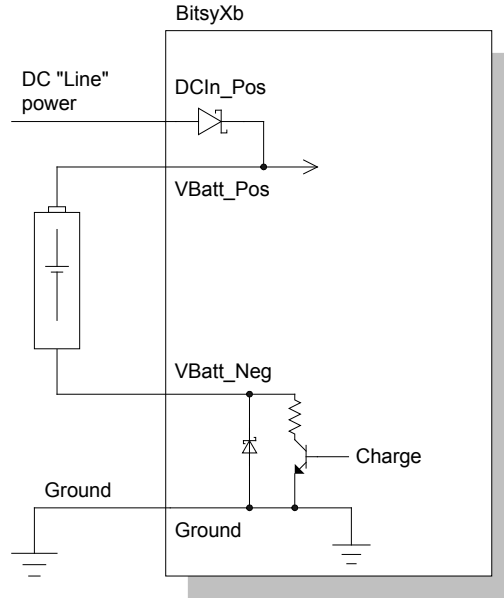
For example, a system with fully charged 1.65 F supercaps and a sleep current of 4 mA can expect to run for up to ten minutes after a power failure. Consult the electrical specifications of section 6.3.4 and power consumption specifications of 6.3.5 for the values to use in your calculations.

5.2.6 Backlight Power

The BitsyXb provides software control of Backlight Intensity and On/Off using the ADSmartIO controller. Power for the backlight is not routed through the board and must be supplied to the backlight separately from the BitsyXb. This provides greater flexibility when selecting backlight inverters for an application. See section 4.6.6 for further details about backlight control.

5.2.7 Battery Trickle Charger (volume production option)

The BitsyXb includes a trickle charger for basic charging of external batteries. The following diagram illustrates the charging circuit and a standard means of combining it with DC line power.



The Charge signal comes from the ADSmartIO controller (port PB0) and is also available on J3 pin 22 for external use. Writing a logic "1" to PB0 turns on the trickle charging. It is up to the application to manage battery charging.

The diode on the negative terminal of the battery allows the battery to power the BitsyXb at any time, but prevents the battery from being charged by a DC voltage on the DCIN_POS input. The charge current is calculated as follows:

$$I_{\text{charge}} = \frac{\text{DCIN_POS} - (2 * 0.2) - V_{\text{batt}}}{R}$$

where

Vbatt is the battery voltage (Vbatt_pos-Vbatt_neg), and

R is the charge resistor (section 6.3.4).

While standard systems include the charging circuit, the charge resistors must be selected for effective charging of specific batteries to be used. Select a resistor value that will provide the desired charge current but not exceed the power rating of the resistor. Since $P=I^2R$,

$$I_{\text{charge, max}} = \sqrt{P_{\text{ch}} / R}$$

where P_{ch} is the maximum power the charge resistor can support. Consult the electrical specifications in section 6.3.4 for the values populated on standard systems.

5.2.8 Power Supply Efficiency

The BitsyXb power supply achieves high efficiency through several means. First, it utilizes high-efficiency switching regulators. These regulators use conventional step-down switchers under operating load conditions, but are configured by the system for linear and "burst" mode²⁰ operation during low-load conditions that occur during system sleep. Additionally, there is only one level of cascaded regulation, reducing the losses that multiply through each stage.

5.3 **Designing for Optimal Power Management**

Designing a system for optimal power management requires careful attention to many details. This section provides some guidelines and tips for best power management.

5.3.1 Create a Power Budget for Peripherals

Embedded system designers using the BitsyXb should have a clear understanding of how power usage will be allocated in the system they design. Designers should create a power budget that takes into account the types of devices that are expected to be used with the BitsyXb.

The following lists detail some of the typical external loads that can be placed the BitsyXb power supplies. Baseline power consumption of the BitsyXb is listed in section 6.3.5.

3.3 V Loads

Typical external loads on the 3.3 V power supply include the following:

- Display
- Personality Board
- CF and some PCMCIA cards

5 V Loads

5 V loads come from both onboard and external devices:

External:

- Display
- Backlight
Only if powered by 5 V BitsyXb power supply
- Most PCMCIA cards
- USB devices
- PS/2 keyboard
- Speaker(s)
Assume 80% efficiency

Onboard:

- 3.3 V Supply
Multiply by 115% to account for 3.3 V power supply efficiency
- Supercaps
Use peak inrush current in your budget

²⁰ "Burst mode" in this context is a registered trademark of Linear Technology Corporation

Loads on Main Supply

The main power supply (DCIN_POS or VBATT_POS) is loaded by the 5 V and 3.3 V supplies as indicated in the diagram of section 5.3.1. Assume 85% efficiency for external loads that cascade through the 5 V supply. Consider these loads when creating your power budget.

5.3.2 Power Loads During Sleep

When designing systems for minimal power consumption during Sleep mode, make sure to consider DC losses to external connections. The following are a few of the ways your system may "leak" when asleep:

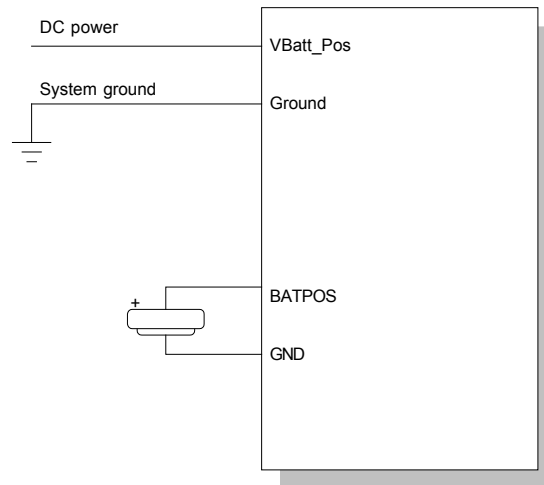
- PCMCIA and CF cards
Cards in place when the system is asleep can drain power through the Card Detect and Voltage Sense lines. Assume that all four lines ground the BitsyXb PCMCIA pull-ups while the card is inserted.
- Digital I/Os
Review digital I/O connections for potential voltage differences from external connections when the BitsyXb is asleep.
- USB
Depending on how USB devices are powered and how the operating system handles USB, USB devices may draw power during Sleep.

5.4 Power Supply Examples

The following are basic examples of how to configure power supplies for the BitsyXb.

5.4.1 Basic DC Supply

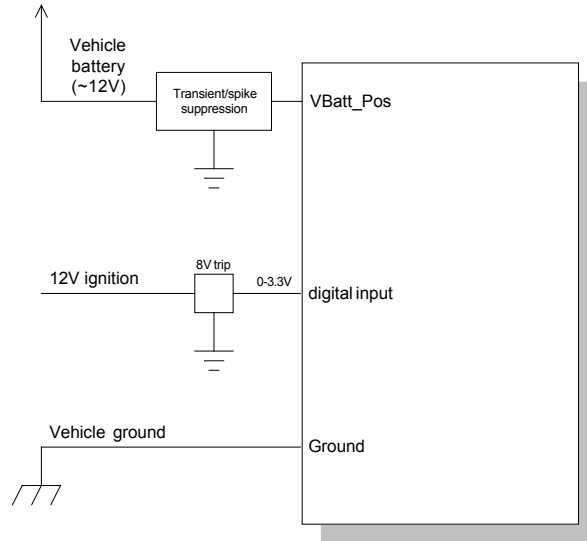
The simplest way to power the BitsyXb is to supply DC power to the VBatt_Pos input, as shown below.



This diagram also illustrates how to connect a coin cell to the RTC circuit for systems that require the RTC to be maintained under all power conditions.

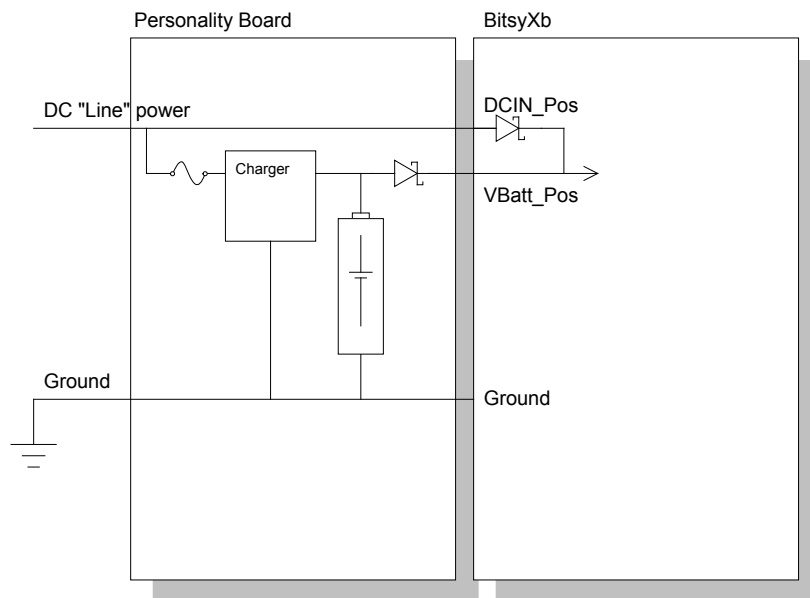
5.4.2 Automotive System

This system connects the BitsyXb directly to the vehicle battery, but polls a sense line on the ignition to put the system to sleep when the vehicle is turned off.



5.4.3 Line Power and Battery with External Charger

You may choose to use an off-board battery charger for a specific battery chemistry or voltage. The following diagram illustrates one way to include a charger on your own personality board.



In this example, DC "Line" power may come from a DC power supply, battery or other DC power source.

The Bitsy Personality Board (Eurotech p/n 640111-8000) includes an external battery charger using a design similar to the one depicted above.

For an illustration of how to use the onboard BitsyXb trickle charger in conjunction with line power, see the diagram in section 5.3.7.

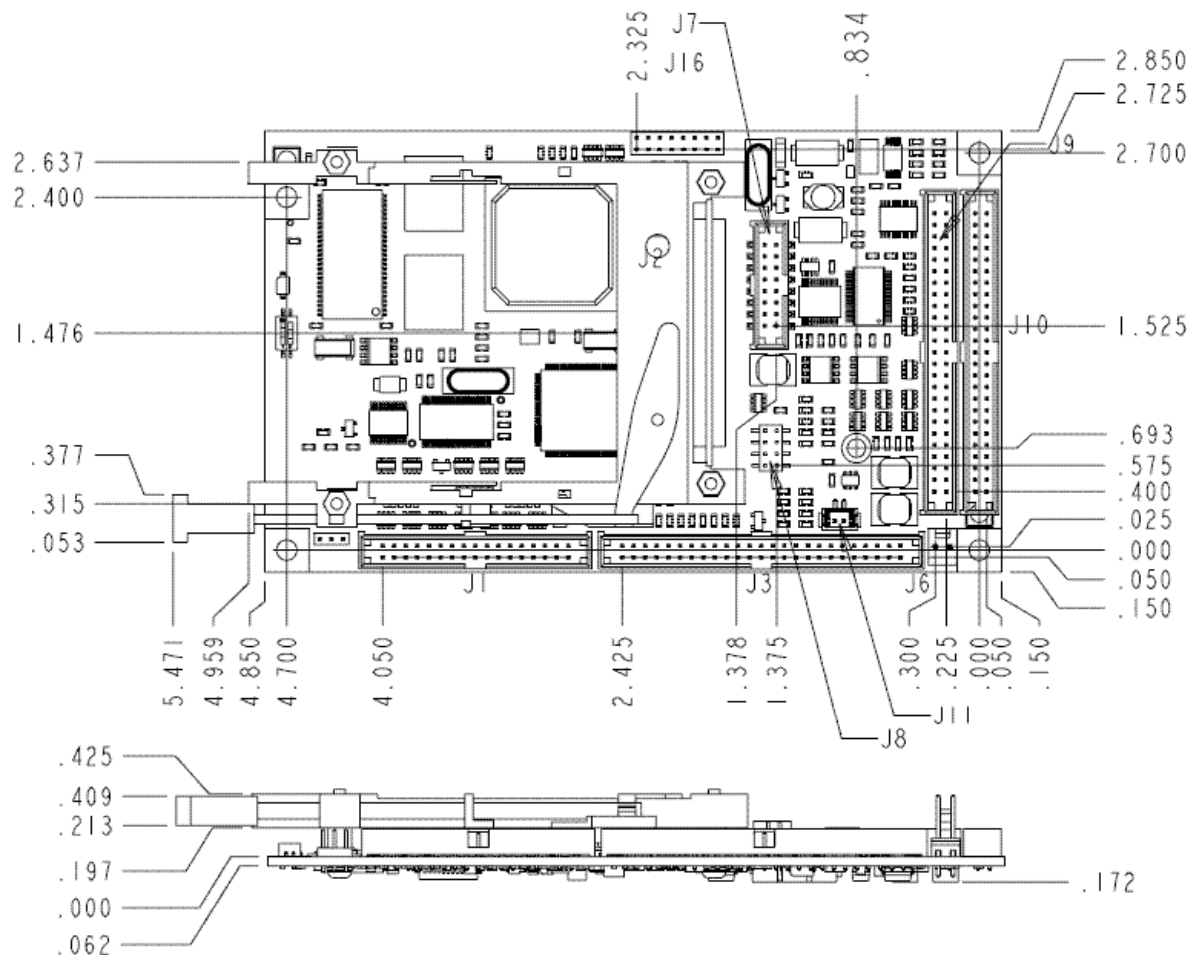
6 System Specifications

6.1 Mechanical Specifications

The BitsyXb is 3.0 inches by 5.0 inches in size. This section describes the component dimensions and mounting of the board. Detailed drawings are available on the support forums (section 2.4), and 3D models are available from Eurotech in electronic format for production customers.

6.1.1 Mechanical Drawing

The following mechanical drawing of the BitsyXb specifies the dimensions of the BitsyXb, as well as locations of key components on the board. The PCMCIA ejector is integrated into the design and is not removable. All dimensions are in inches. This image is an excerpt from the full mechanical drawings, Eurotech document number 630118-00004.



6.1.2 Mounting Holes

Four holes, one on each corner, are provided for mounting. The diameter of the holes is 0.138-in. Mounting holes are plated through and connected to the BitsyXb ground plane. For reliable ground connections, use locking washers (star or split) when securing a BitsyXb in an enclosure. Make sure that washers do not extend beyond the limits of the pads provided.

6.1.3 Clearances

The BitsyXb has a low profile. It can fit in an enclosure with inside dimensions as thin as 0.759 inch (19.3 mm). Key clearances are as follows:

- Highest component: 0.425 inch (10.8 mm), top
0.172 inch (4.4 mm), bottom
- Board thickness: 0.062 inch (1.6 mm)
- Clearance over top/bottom: 0.05 inch (1.3 mm)

Note: Selection of connectors, personality board and wiring harnesses will determine height of final assembly.

6.1.4 Production Options

The BitsyXb has a number of production options detailed throughout this manual. This section describes options that most significantly affect the mechanical design of the board. These options are generally available only for volume production orders.

Mating Headers on Underside of Board

The four system signal headers—J1, J3, J9 and J10—can be mounted on the underside of the BitsyXb. This allows the BitsyXb to sit on top of another board. Note that J7 can only be populated on the top side of the BitsyXb.



Important! When the headers are placed on the underside of the board, the pin numbers will not correspond to the signals as described in this manual. Lay out the mating board with this in mind.

PCMCIA Rails with no Ejector

In applications where the PCMCIA ejector causes clearance problems, Eurotech can populate a PCMCIA slot that has rails but no ejector.

Removal of PCMCIA Header

BitsyXb systems can be built without the PCMCIA header, which can result in significant cost savings. The base, surface-mount connector remains on the board for factory programming at Eurotech and at your facility.

Connector Plating

Connectors on the BitsyXb come standard with gold plating. Eurotech can populate headers with different platings as required.

Microphone Gain

The BitsyXb microphone circuitry can be configured for different gains. The most likely reason is to support "line in" inputs (1 V_{rms} with no electret pull-ups), but other gain and filtering settings are possible as well.

6.2 Environmental Specifications

The following are environmental specifications for the BitsyXb single-board computer.

Symbol	Parameter	Min	Typ.	Max	Units
	Operating temperature	-40		+85	°C

6.3 Electrical Specifications

This section provides electrical specifications for the BitsyXb single-board computer.

6.3.1 Reset, Sleep, Wakeup

Absolute Maximum Ratings

Reset Input (/RESET_IN)..... 3.6 V (note 1)

Wakeup Input (/RQOnOff) 5.5 V (note 2)

Symbol	Parameter	Min	Typ.	Max	Units
/RESET_IN (J10.45)					
Vrst	trigger voltage (Note 3)		2.7		V
Vprst	pull-up voltage		Vddx		V
Rprst	pull-up resistance		47		kΩ
Sleep (5.3.3)					
Vsleep	Sleep trigger voltage (Note 4)	5.4		5.8	V
Vsleep,hyst	Sleep trigger release hysteresis (Note 5)	0.06		0.25	V
Wakeup: /RQOnOff (J3.45)					
trq	wakeup pulse duration (Note 6)	100			ms
Vprq	pull-up voltage		Vddx		V
Rprq	pull-up resistance		11		kΩ

Notes:

1. The reset controller can support operating voltages up to 10 VDC. However, such high voltages on Vddx through the pull-up resistor may damage the system.
2. The /RQOnOff signal is connected to the system controller, which determines this rating (see section 6.3.7).
3. Short /RESET_IN to GND to reset system.
4. This is the voltage at VBATT_POS at which the DC_GOOD signal (section 4.3.7) changes from high to low, which can trigger the system to go into Sleep mode. Sleep trigger at DCIN_POS is Vsleep+Vdin (section 6.3.4).
5. **Important!** Once Vsleep has been triggered, the input voltage must rise at least Vsleep,hyst above Vsleep before the voltage detector will restore the DC_GOOD signal. Make sure that your input voltage is designed to always run above Vsleep+Vsleep,hyst, or systems that go to sleep may not be able to wake again.
6. Short /RQOnOff to GND for at least trq to wake up system. A low-level voltage on /RQOnOff initiates wakeup.

6.3.2 LCD Display

LCD display panels have a wide range of voltage and data requirements. The BitsyXb has a number of adjustable voltages to support these requirements, as well as controls for brightness (backlight) and contrast (passive LCD panels). See section 4.5.5 for further details.

Symbol	Parameter	Min	Typ.	Max	Units
LCD (4.6.2)					
V pnl	Display power supply (note 7)	3.3		5.0	V
P pnl_pwr	Display power (note 8)			2	W
V pnl_data	Panel data voltage (note 9)	3.3	3.3	5.0	V
Scan direction (active displays) (4.6.3)					
R pnl_rl	Pull-up/down resistance		4.7		kΩ
R pnl_ud	Pull-up/down resistance		4.7		kΩ
V pnl_rl	(note 10)	0	V pnl	V pnl	V
V pnl_ud	(note 11)	0	V pnl	V pnl	V
Contrast Control (passive LCD displays) (4.6.7)					
Vcon	Low-voltage contrast adjust (note 12)	0		Vddx	V
Brightness Control (backlight, 4.6.6)					
V backlight On	(note 13)			30	V
V backlightPWM	PWM (note 14)	0		3.3	V
R backlightPWM	PWM series resistance (note 14)		1.2		kΩ

Notes:

7. JP2 selects the display voltage.
8. Total power available depends on system power budget.
9. Systems are configured at the factory with buffers for 3.3 or 5 V panel data. R148 selects 5 V power for the buffers while R137 selects 3.3 V power. 5 V displays with $V_{ih} \leq 0.6 \cdot V_{pnl_pwr}$ (3.0 V) will work reliably with 3.3 V data.
10. PNL_RL is pulled up with R193 or pulled down with R207.
11. PNL_UD is pulled up with R191 or pulled down with R192.
12. Vcon is the low-voltage PWM signal used to control Vee. It can be used directly with some passive displays to control contrast.
13. Backlight On is an open-collector output. Most backlight inverters include pull-up resistors on their on/off inputs. The maximum voltage shown is the rating of the BitsyXb output transistor.
14. The backlight on/off and PWM outputs are driven by the ADSmartIO controller

6.3.3 Touch Panel Controller

The BitsyXb uses touch panel controllers from Burr Brown. It uses the ADS7846 to support four-wire analog-resistive touch panels and the ADS7845 to support five-wire panels. The system is factory-configured for use with four-wire panels. All touch-panel signals are ESD and RF protected. The touch panel controller is powered during sleep mode and can generate an interrupt to wake the system.

Symbol	Parameter	Min	Typ.	Max	Units
Vdd	Supply voltage		Vddx		V
---	A/D sample resolution		12		bit

6.3.4 Power Supply

Absolute Maximum Ratings

Supply Voltage (DCIN_POS) 18 V

Symbol	Parameter	Min	Typ.	Max	Units	
System Power						
VBATT_POS	BitsyXb supply voltage (Note 15)	5	12	15	V	
Vdin	Diode drop from DCIN_POS to VBATT_POS at 130 mA		0.35	0.4	V	
VDDI	Processor core voltage (6.3.9)	0.85	1.0	1.3	V	
VDDX	3.3 V onboard supply	Run	3.1	3.3	3.5	V
		Sleep		3.15		V
VCC	5.0 V onboard supply	4.75	5.0	5.25	V	
I (Vcc)	5 V available for display, PCMCIA, USB, J9.15, J10.48, etc. (Note 16)	Run			500	mA
		Sleep				
I (Vddx)	3.3 V available for display, PCMCIA, J9.23, J10.47, etc. (Note 17)	Run			700	mA
		Sleep			100	mA
RTC Backup Power (4.2)						
V BATPOS	real-time clock battery backup	2.2	3.0	3.6	V	
I BATPOS	RTC current (note 18)		300	500	nA	
Battery Trickle Charger (5.3.7)						
Rch	Charger series resistance		37.5		Ω	
Pch	Charge resistor power rating			0.25	W	

Notes:

15. The system can operate down to the minimum voltage shown, but the DC_GOOD signal may cause the system to go to sleep when running at that voltage. See *Power Failure Interrupt* in section 5.3.3 for details. The power failure feature can be overridden.
16. LTC 1771 "Burst" mode, used when the BitsyXb is in Sleep mode, is more efficient at low currents. However, it is electrically noisier and can cause significantly greater EMI/RFI at higher current draws.
17. During Sleep mode, Vddx is powered by a linear regulator, which draws from the 5V supply.
18. Vddx=0V, Vbatpos=3.2 V (source: DS1307 data sheet)

6.3.5 Power Consumption

The following table lists typical power consumption for the BitsyXb with varying input voltage and activity levels. Run mode efficiency of the power supply decreases slightly with higher input voltages.

Power consumption varies based on peripheral connections, components populated on the system and the LCD panel connected. Input voltage, temperature and the level of processor activity affect power consumption to a lesser extent. The measurements are accurate to $\pm 5-10\%$.

LCD displays and backlights add significantly to the total power consumption of a system.

Eurotech Development Systems include the Sharp LQ64D343 5V TFT VGA display, which draws about one watt, and the Taiyo-Yuden LS520 backlight inverter, which draws about six watts at full intensity.

Test Condition	VBATT_POS							
	6.5 V		9 V		12 V		15 V	
Sleep mode	5	33	4	36	3	36	3	45
CPU idle (note 19)	85	550	66	590	52	620	44	660
Run mode, max (note 20)	260	1690	190	1710	175	2100	140	2100
Units	mA	mW	mA	mW	mA	mW	mA	mW

Notes: Power consumption was measured on a fully-populated 64 MB rev 3 BitsyXb system with no peripheral connections and the following additional conditions:

19. System in Run mode at 104 MHz. Running Linux, the system is predominantly in Idle mode (<5% CPU utilization).
20. System in Run mode at 520 MHz, running Linux. Full (95-100%) processor utilization achieved by running multiple instances of a graphics-intensive application.

6.3.6 ADSmartIO Controller

The ADSmartIO Controller is a second RISC microcontroller on the BitsyXb designed to handle I/O functions autonomously. The BitsyXb communicates with the ADSmartIO controller using the PXA270 SPI bus. On the BitsyXb, ADSmartIO is implemented with the Atmel ATMEGA8535 microcontroller, which has 512 bytes EEPROM.

Absolute Maximum Ratings

Input voltage, any pin3.8 V

Symbol	Parameter	Min	Typ.	Max	Units
Vdd	ADSmartIO supply voltage		3.3		V
Rs	Series resistance (note 21)		1		k Ω
Vprot	(note 21)				V
Digital Outputs (4.3.3)					
Vol				0.5	V
Voh		2.3	3.3		V
I sink	(see notes 21)			20	mA
I source	(see notes 21)			12	mA
Digital Inputs (4.3.3)					
Vih		0.6			Vdd
Vil				0.3	Vdd
R	Software-selectable pull-ups to 3.3 V (see note 23)	35		120	k Ω
A/D Inputs (4.3.4)					
n	resolution (note 24)		8	10	bit
Rin			100		M Ω
Vref	A/D reference voltage (note 25)		2.5		V
Ivref	Current drain from ref voltage			100	μ A
Vin	valid A/D input voltage range	0		Vref	V
I (Vref)	J10.43			100	μ A
Temperature Sensing (4.3.5)					
Rth	external thermistor resistance @ 25C		33		k Ω
Vt	thermistor excitation voltage		Vref		V
Rtl	lower voltage divider		47		k Ω
I2C Bus (4.5.4, note 26)					
	Bus clock		50		kHz
	input buffer size			32	byte
	packet size			32	byte
Vi/o	I/O voltages	see digital I/Os, above			V
Rbus	pull-up on SDA, SCK		4.7		k Ω
Vbus			3.3		V

Notes:

21. Row I/O, column I/O and SMTIO 0-1 have series resistance and overvoltage protection to ground. The series resistance limits the dc current that any one pin can source or sink.
22. Control pull-up resistors by writing to bits of IO port when the port is configured as a digital input (bit mask 1=enable, 0=disable).
23. Digital noise on the board may degrade analog performance under some conditions.
24. Vref turns off when the system is in Sleep mode (section 5.3.2).
25. Specifications based on ADSmartIO release 1010 rev 2 (Eurotech release #700114-10102)

6.3.7 System Controller

A Xilinx XCR3128 CPLD on the BitsyXb manages /RQOnOff, /PE1, PE2 (section 5.3.2) and other system control signals. It is programmed at the factory using the JTAG interface (section 3.3.9). The system controller CPLD also manages the PCMCIA and CompactFlash ports. Specifications are listed separately, below.

Absolute Maximum Ratings

Input voltage, digital I/O pins..... -0.5 to 5.5 V

Output current, continuous,
digital I/O pins -100 to 100 mA

Symbol	Parameter	Min	Typ.	Max	Units
Vdd	Supply voltage		3.3		V
Digital Outputs					
Vol		0		0.4	V
Voh		2.4			V
Digital Inputs					
Vil		0		0.8	V
Vih		2.0		3.5	V

CompactFlash Port Used as Expansion Bus

The CompactFlash bus can be used as a digital expansion port on the BitsyXb. The following are specifications for the CF port used as an expansion bus. [tbd]

Symbol	Parameter	Min	Typ.	Max	Units
V _{PCMCIA}			3.3		V
I _{3.3V}	3.3 V socket current		tbd	2	W
R _{p pcmcia}	Card detect (1 & 2) and voltage sense (VS1 & 2) pull-ups (note)		100		kΩ
V _{p pcmcia}	Card detect and voltage sense pull-up voltage (note 29)	V _{ddx}	V _{cc}	V _{cc}	V
Digital Outputs					
Vol			0		V _{ccb}
Voh			1.0		V _{ccb}
I _{sink}					mA
I _{source}				4	mA
Digital Inputs					
Vil	V _{ccb} =3.3 V			0.325	V _{ccb}
	V _{ccb} =5.0 V			0.8	V
Vih	V _{ccb} =3.3 V	0.475			V _{ccb}
	V _{ccb} =5.0 V	2.4			V
Timing (note 30)					
t _{mem}	system memory clock		9.7		us
t _{setup1}	address setup to command, first access	2		97	t _{mem}
t _{setup2}	address setup to command, second access	1		64	t _{mem}
t _{access}	nRD/WR duration, first access	3		97	t _{mem}

Notes:

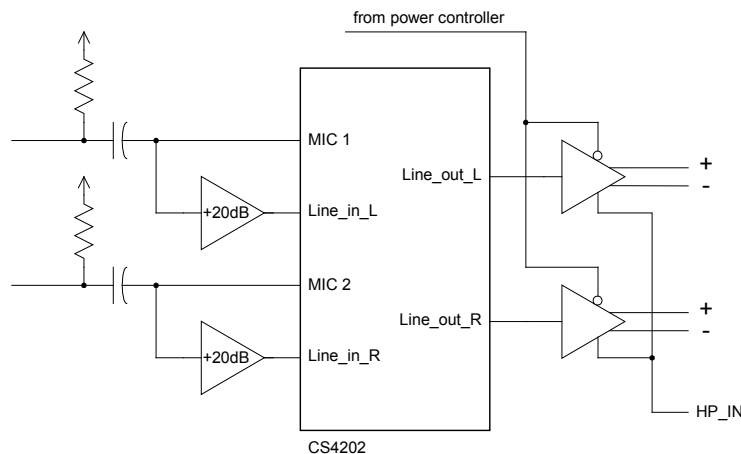
26. Each card inserted in a PCMCIA or CF slot can drain up to 10 mW when the system is in Sleep mode ($4 * (V_{cc}^2/R_{pcmcia})$).
27. The PCMCIA/CF voltage is software-selectable. External implementations of the CF bus (i.e. on a Personality Board) can hard-wire the voltage to V_{ddx} or to V_{cc}.
28. The PXA270 MECR register independently sets timings for the attribute, IO and memory spaces of the CF bus in 32 steps. Values shown assume 206 MHz CPU clock. Min values are with Fast bit=1, max values are with Fast bit=0.

6.3.8 Audio

For its audio sub-system the BitsyXb uses the Crystal CS4202 AC'97 stereo codec with dual audio input and output channels. The BitsyXb adds an output power amplifier (National LM4863) and a microphone pre-amp with power for electret microphones.

The output amplifier supports differential and single-ended modes. When the HP_IN signal is greater than V_{HP_IN}, the amplifier is in single-ended mode; when lower, it is in differential mode.

The following diagram illustrates the relationship of the BitsyXb signal amplifiers to the codec:



The BitsyXb microphone circuitry can be factory configured to support "line in" inputs (1 V_{rms} with no electret pull-ups) and different input gain and filtering. See section 6.1.4 for details about volume production options.

Absolute Maximum Ratings

V_{in_mic}5 Vdc

Symbol	Parameter	Min	Typ.	Max	Units
DVdd	codec digital supply voltage		3.3		V
Avdd	codec analog supply voltage		5.0		V
fso	sample rate, output		48		kHz
fsi	sample rate, input (note 31)	8		44.1	kHz
Audio Input					
V _{in_mic}	signal input voltage		100		mV _{rms}
Gain _{mic}	pre-amp gain		20		dB
f _{o_mic}	pre-amp low-pass cutoff (note 32)		3.4		kHz
R _{in_mic}	input impedance		12.5		kΩ
C _{in_mic}	DC blocking capacitor		1		μF
V _{micpwr}	microphone power (MIC _{L/R+})		5		V
R _{micpwr}	microphone power, series resistance			3.2	kΩ
Audio Output					
R _l	speaker load	4	8		Ω
V _{out}	Z _{spkr} =4Ω, differential mode			3.7	V _{rms}
V _{dc}	DC bias, differential mode		0.5		Avdd
P _{spkr}	output power, ea. channel (note 33)				
	differential, THD+N 1%, R _l 4Ω		1.0	2.2	W
	differential, THD+N 10%, R _l 4Ω		1.0	2.7	W
	differential, THD+N 1%, R _l 32Ω		1.0	0.34	W
	single-ended, THD+N 0.5%, R _l 32Ω		75	85	mW
	single-ended, THD+N 1%, R _l 8Ω			340	mW
	single-ended, THD+N 10%, R _l 8Ω			440	mW

Symbol	Parameter	Min	Typ.	Max	Units
R_HP_IN	pull-up to Vcc			100	kΩ
V_HP_IN	threshold voltage		4		V

Notes:

- 29. The output sample rate is fixed, but the input sample rate can be set to 8, 11.025, 22.05 or 44.1 kHz.
- 30. Pre-amp anti-aliasing filter rolls off at 3dB/octave (first-order filter)
- 31. Typical values are guaranteed to National Semiconductor's AOQL (Average Outgoing Quality Level). Operating above typical values for a sustained period of time may result in thermal shutdown of the amplifier.

6.3.9 PXA270 Processor

The PXA270 core can change system voltage Vddi (section 6.3.4) dynamically to achieve lower power consumption at high clock rates. It uses voltage Vddx to power its interface I/Os. The EIO digital I/Os include series resistance and ESD protection.

Serial ports configured for 3.3 V logic level operation only run directly to the processor (section 4.5.1). No series resistance or ESD protection is provided. These lines should be treated as digital I/Os and protected for over-current and over-voltage accordingly. Ferrite beads are included on Serial 1 and Serial 3 ports with 33Ω series resistance added under the 3.3 V logic level production option.

PXA270 synchronous serial port 3 (SSP3) is available for application use on header J3. Treat the signals as digital I/Os. The SSP3 signals connect to the CPU through 1kΩ series resistors.

Absolute Maximum Ratings

Input voltage, digital I/O pins.....3.6 V

Symbol	Parameter	Min	Typ.	Max	Units
Digital Outputs					
V _{ol}			0		V _{ddx}
V _{oh}			1.0		V _{ddx}
I _o		-2		2	mA
Digital Inputs					
V _{il}				0.2	V _{ddx}
V _{ih}		0.8			V _{ddx}
EIO digital I/Os (J3, 3.3.3 and J10, 3.3.8)					
R _{ei0}	EIO series resistance		1		kΩ
I2C Bus (4.5.4)					
	bus clock (note 34)	100		400	kHz
	buffer size			1	byte
R _{bus}	pull-up on SDA, SCK		4.7	4.99	kΩ
V _{bus}			3.3		V
USB Host Port					
R _{pwr_sense}	USB_PWR_SENSE Pull-up to Vddx		47		kΩ

Notes:

- 32. The PXA270 supports "standard" and "fast" I2C speeds of 100 and 400 kHz.

6.3.10 Crystal Frequencies

Agencies certifying the BitsyXb for compliance for radio-frequency emissions typically need to know the frequencies of onboard oscillators. The following table lists the frequencies of all crystals on the BitsyXb.

Crystal	Device	Typ.	Units
X1	ADSmartIO microcontroller	3.6864	MHz
X2	RTC	32.768	kHz
X3	Codec	24.576	MHz
X4	XScale core	13.000	MHz
X5	XScale RTC	32.768	kHz

7 Board Revision History

7.1 Identifying the board revision

The product revision number of the BitsyXb is etched on the underside of the printed circuit board. That number is 170118-0000x, where "x" is the board revision.

7.2 Revision History

This section describes the differences between the revisions of the Bitsy Xb.

7.2.1 Revision 4

Initial release

If you are using a BitsyXb as a replacement for the BitsyX, please note these differences from revision C of the BitsyX.

New Features

PXA270 processor replaces PXA255.

Adds header J11 for external supercapacitors.

Adds header J8 for off-board Vee Generator.

Changes

In-system programming and test signals from headers J4 and J5 merge into J16.

System controller CPLD replaces SA-1111 for PCMCIA/CF control.

PXA270 replaces SA-1111 for SPI and USB Host functionality.

LCD power select shunt JP3 changes to JP2.

Removes JP4 for Vee polarity (now found on Vee adapter board).

Bottom-side clearance is slightly higher, increasing overall enclosure height by 0.7mm (from 0.728 to 0.759 inches).

MMC signals on J7 change as follows:

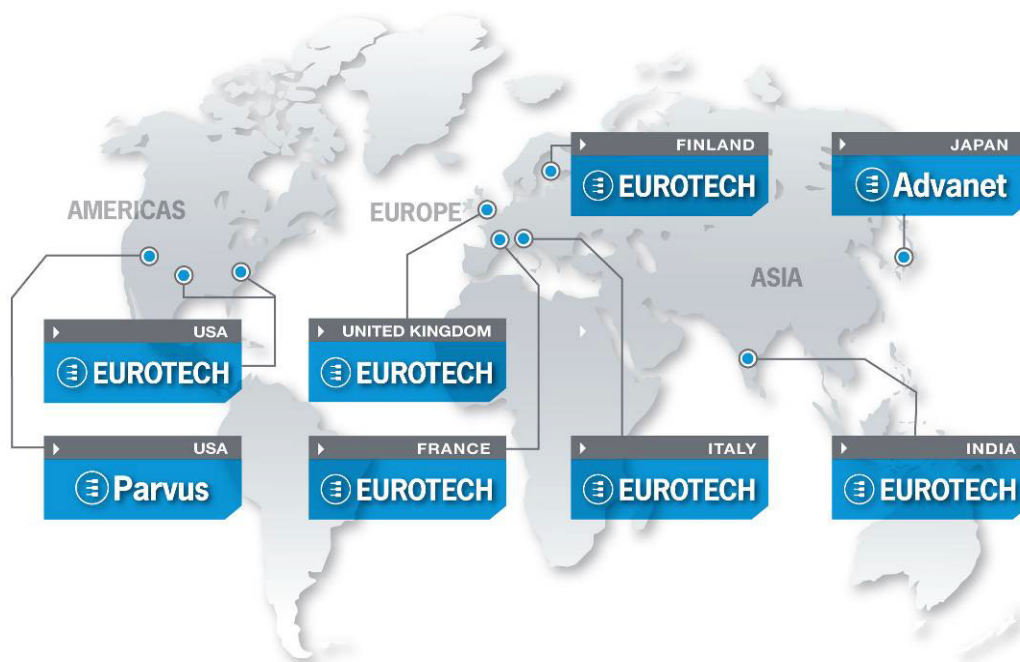
Pin	From	To
8	MMCDAT	MMCDAT0
13	/CS 4 GPIO80	/MMCWP
14	/CS 5 GPIO33	/MMC IRQ
15	CPLD IO	/MMCPWREN
16	n/c	MMCDAT1

Adds series resistance to SSP lines on J3.

Signals on Compact Flash interface, J9, change as follows:

Pin	From	To
26	CARDBVCC	n/c

Eurotech Worldwide Presence



AMERICAS

EUROPE

ASIA



USA

EUROTECH

Toll free +1 888.941.2224
 Tel. +1 301.490.4007
 Fax +1 301.490.4582
 E-mail: sales.us@eurotech.com
 E-mail: support.us@eurotech.com
 Web: www.eurotech-inc.com

PARVUS

Tel. +1 800.483.3152
 Fax +1 801.483.1523
 E-mail: sales@parvus.com
 E-mail: tsupport@parvus.com
 Web: www.parvus.com

Italy

EUROTECH

Tel. +39 0433.485.411
 Fax +39 0433.485.499
 E-mail: sales.it@eurotech.com
 E-mail: support.it@eurotech.com
 Web: www.eurotech.com

United Kingdom

EUROTECH

Tel. +44 (0) 1223.403410
 Fax +44 (0) 1223.410457
 E-mail: sales.uk@eurotech.com
 E-mail: support.uk@eurotech.com
 Web: www.eurotech.com

France

EUROTECH

Tel. +33 04.72.89.00.90
 Fax +33 04.78.70.08.24
 E-mail: sales.fr@eurotech.com
 E-mail: support.fr@eurotech.com
 Web: www.eurotech.com

Finland

EUROTECH

Tel. +358 9.477.888.0
 Fax +358 9.477.888.99
 E-mail: sales.fi@eurotech.com
 E-mail: support.fi@eurotech.com
 Web: www.eurotech.com

Japan

ADVANET

Tel. +81 86.245.2861
 Fax +81 86.245.2860
 E-mail: sales@advanet.co.jp
 E-mail: tsupport@advanet.co.jp
 Web: www.advanet.co.jp

India

EUROTECH

Tel. +91 80.43.35.71.17
 E-mail: sales.in@eurotech.com
 E-mail: support.in@eurotech.com
 Web: www.eurotech.com

To find your nearest contact refer to: www.eurotech.com/contacts



www.eurotech.com

EUROTECH HEADQUARTERS

Via Fratelli Solari 3/a

33020 Amaro (Udine) – ITALY

Phone: +39 0433.485.411

Fax: +39 0433.485.499

For full contact details go to: www.eurotech.com/contacts