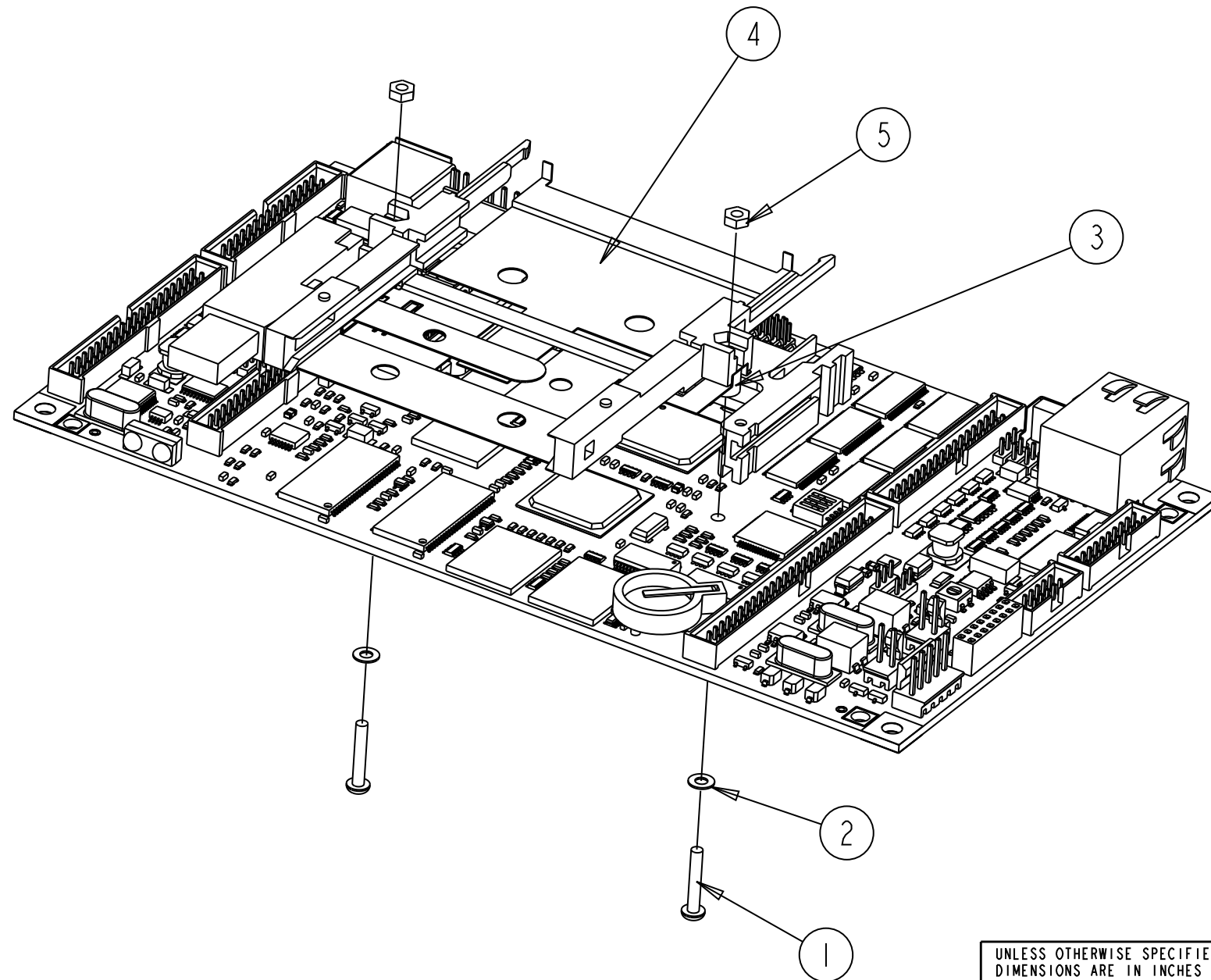


NOTES: (UNLESS OTHERWISE SPECIFIED):

PCMCIA INSTALLATION GUIDE (WHEN REQUIRED)



REVISION				
ZONE	REV	DESCRIPTION	DATE	
	E	ORIGINAL RELEASE	8-17-07	

PCMCIA HARDWARE		
ITEM NO.	QTY.	ADS P/N
1	2	250011-01201E
2	2	250031-00001E
3	2	250040-00013E
4	1	250080-00002E
5	2	250021-00000E

UNLESS OTHERWISE SPECIFIED
DIMENSIONS ARE IN INCHES
TOLERANCES ARE:
DECIMALS
.XX ± .01
.XXX ± .005
✓ RMS ALL MACHINED SURFACES
BREAK ALL SHARP EDGES
AND CORNERS, REMOVE BURRS.

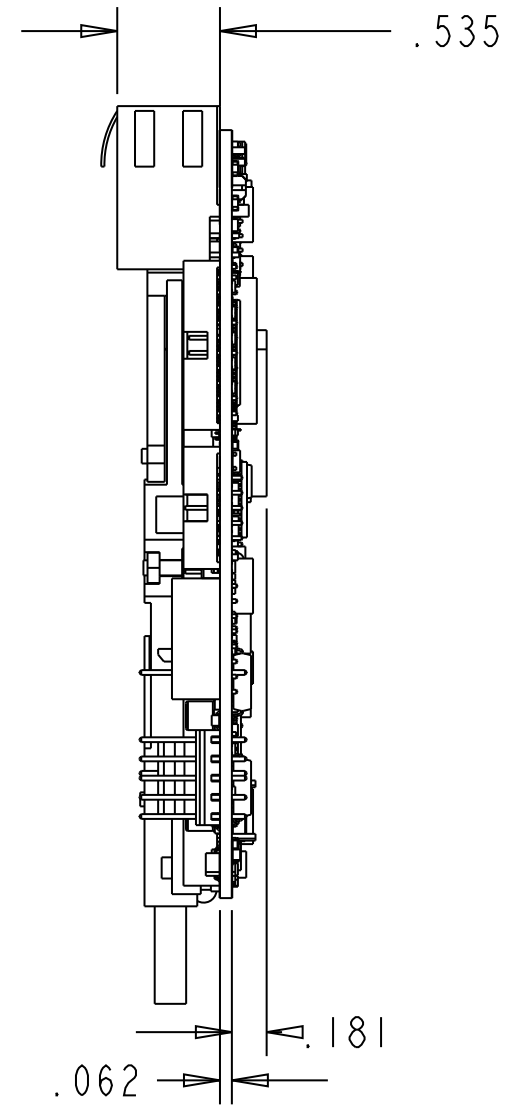
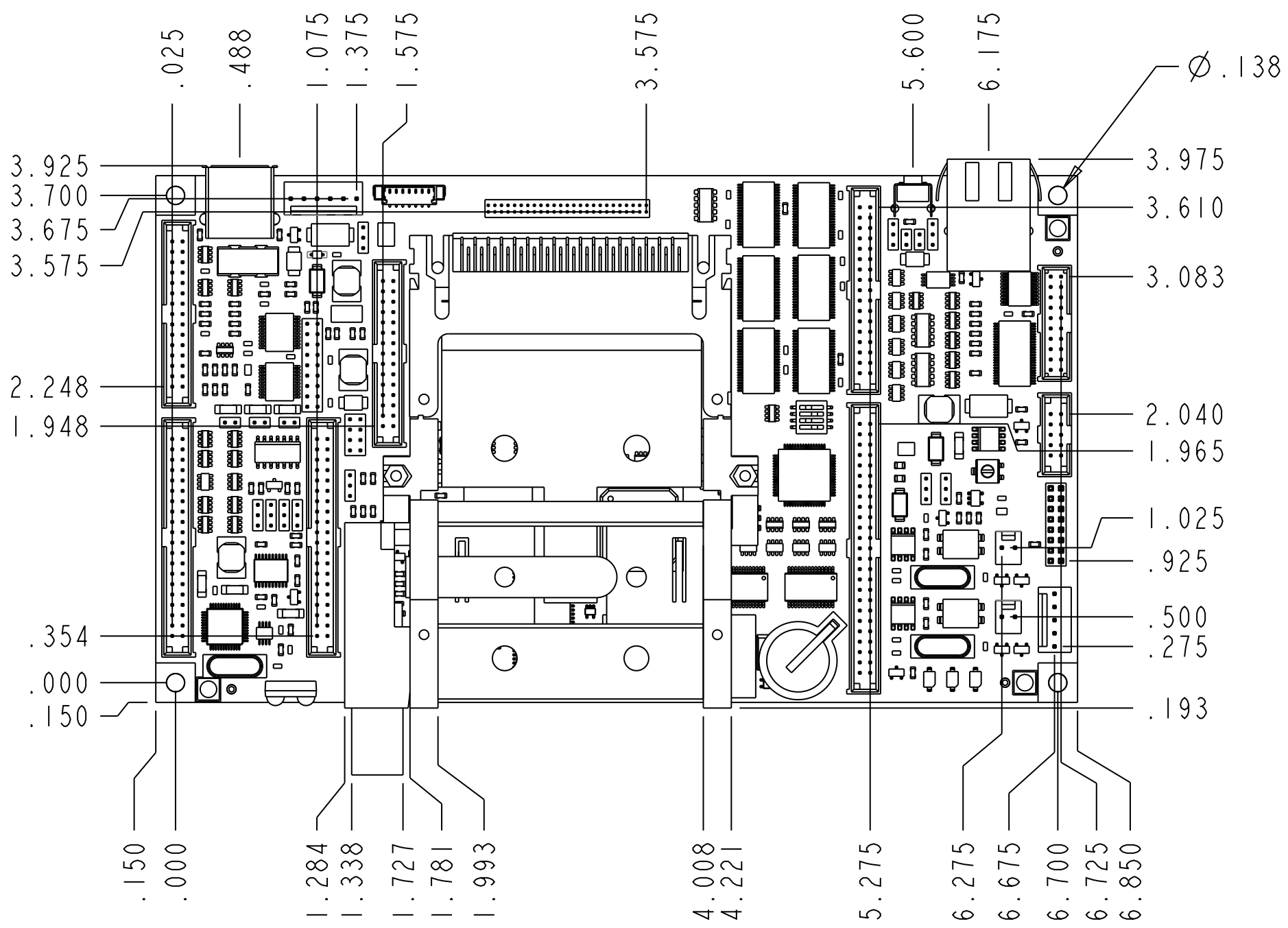
THIS DOCUMENT CONTAINS INFORMATION
PROPRIETARY TO ADS AND
SHALL NOT BE USED FOR ENGINEERING
DESIGN, PROCUREMENT OR MANUFACTURER
IN WHOLE OR IN PART WITHOUT THE
CONSENT OF ADS

MECHANICAL ENGINEER
M. BLATTAU 8-17-07

MATERIAL
FINISH

ADS

APPLIED DATA SYSTEMS <small>10260 Old Columbia Rd. Columbia, Maryland 21046 USA</small>		
TITLE VGX MECHANICAL DETAIL DRAWING		
SIZE B	DWG. NO. 630116-200R	REV E
SCALE: 0.500	DO NOT SCALE DRAWING	SHEET 1 OF 2



SCALE 1.000

SIZE B	DWG. NO. 630116-200R	REV E
SCALE: 0.500	DO NOT SCALE DRAWING	SHEET 2 OF 2