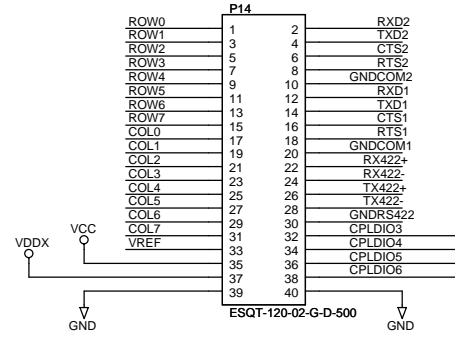


REVISIONS			
LTR	DESCRIPTION	DATE	APPVL

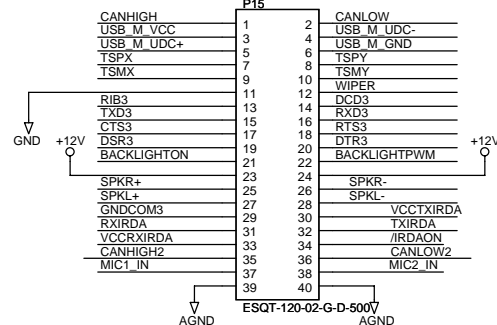
These materials are being provided for the purpose of acquainting certain parties with Applied Data Systems, Inc. ("ADS") and its technology and evaluating whether to pursue a possible transaction with ADS. These materials contain proprietary information ("Confidential Information") relating to the technology, business affairs and/or operations of ADS, which is not publicly available. By reviewing or taking receipt of these materials, the Recipient acknowledges and agrees that the Confidential Information in the materials is confidential and proprietary in nature, that Recipient will not use such Confidential Information for any purpose other than the evaluation of a possible transaction with ADS, including, any competitive purpose, and that Recipient will not disclose any or all of the Confidential Information in any form to any other party. If Recipient does not agree to these conditions, Recipient will immediately notify ADS in writing and return the materials to ADS. Recipient will not duplicate the Confidential Information and will return all materials to ADS upon its request.

APPROVALS				Applied Data Systems, Inc. 10260 Old Columbia Road, Columbia, Maryland 21046		
ORIGINATOR:	DATE	ENGINEER DIRECTOR:	DATE	TITLE		
CHECKED:	DATE	CONFIGURATION MGR:	DATE	SIZE	DRAWING NUMBER	REV
				B		
				SCALE 1/1	© Copyright 2001 Applied Data Systems, Inc. All Rights Reserved	COVER SHEET

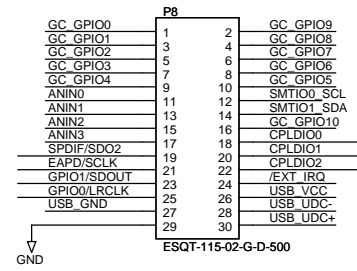
Serial, GPIO



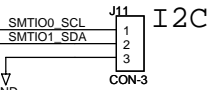
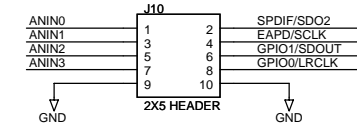
Audio From Base Board Connector



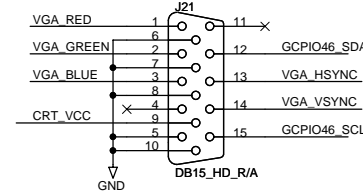
Dig IO



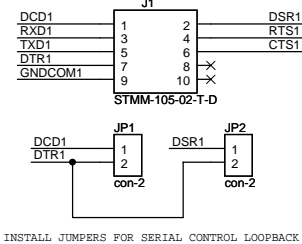
Analog/Serial Audio



VGA

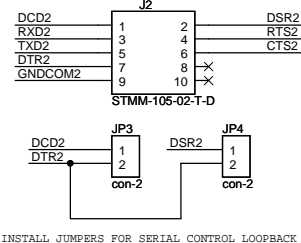


COM1



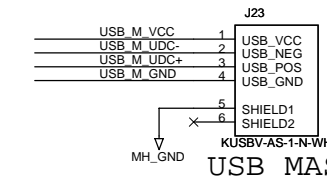
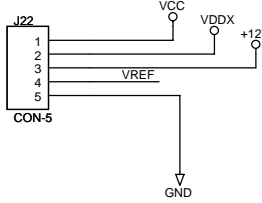
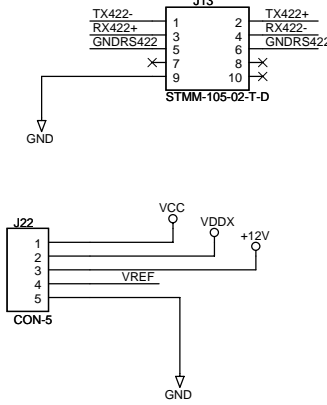
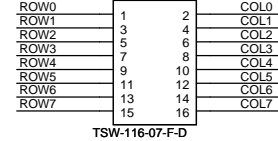
INSTALL JUMPERS FOR SERIAL CONTROL LOOPBACK

COM2

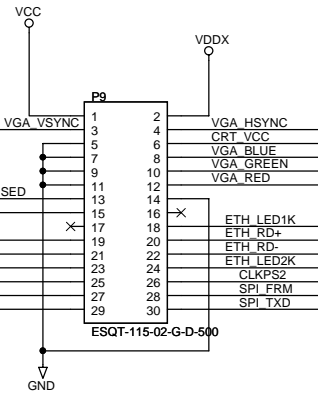


INSTALL JUMPERS FOR SERIAL CONTROL LOOPBACK

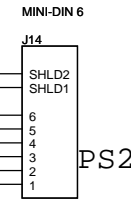
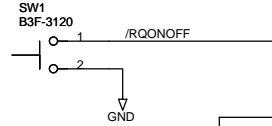
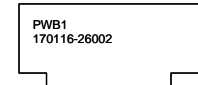
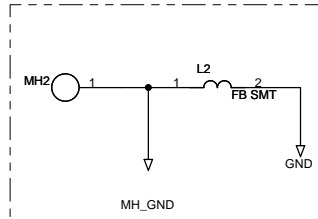
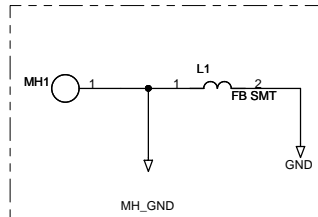
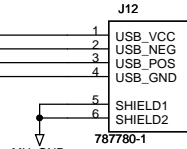
Keypad



USB MASTER



USB SLAVE



1	Initial Engineering Release	9/26/05	MDB
Rev	Description / ECN	Date	Ini.
Title		APPLIED DATA SYSTEMS, INC. 9140A Guilford Rd Columbia, MD 21046 1-800-541-2003	
Size	Document Number	Rev	
C	640116-2600	1	
Date:	Thursday, January 12, 2006	Sheet	1 of 1